

**FAN DIAMETER**  
10" [255mm]

# 12VDC AXIAL MOTOR FANS

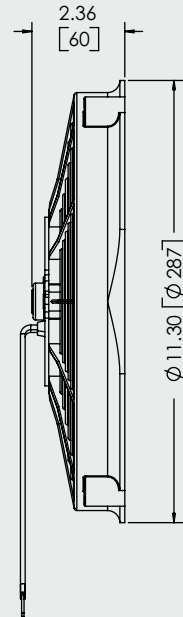
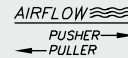
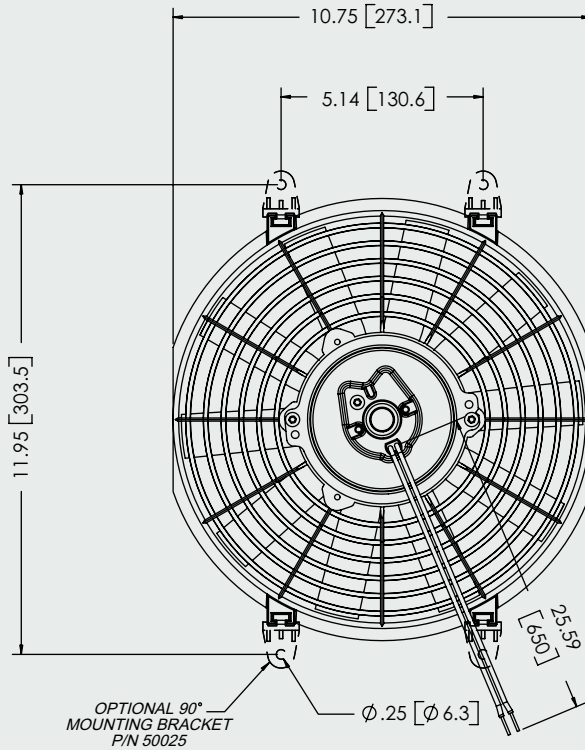


## MODEL INFORMATION\*

| PART#     | TYPE   | VOLTS | WATTS | BLADE    | MATERIAL   |
|-----------|--------|-------|-------|----------|------------|
| 850026-90 | PULLER | 12VDC | 90W   | STRAIGHT | MFGF NYLON |
| 850028-90 | PUSHER | 12VDC | 90W   | STRAIGHT | MFGF NYLON |

\*ALSO AVAILABLE IN 24VDC

**REVERSIBLE**



NO CONNECTOR PROVIDED

## TYPICAL AIR PERFORMANCE @ 13.5VDC

10" 90W STRAIGHT BLADE PULLER/PUSHER FANS

| STATIC PRESSURE IN H <sub>2</sub> O | STATIC PRESSURE mm H <sub>2</sub> O | CFM | m <sup>3</sup> /h | Amps |
|-------------------------------------|-------------------------------------|-----|-------------------|------|
| 0                                   | 0.0                                 | 729 | 1239              | 8.0  |
| 0.1                                 | 2.5                                 | 652 | 1108              | 8.0  |
| 0.2                                 | 5                                   | 561 | 953               | 7.9  |
| 0.3                                 | 7.5                                 | 470 | 799               | 7.9  |
| 0.4                                 | 10                                  | 343 | 583               | 7.9  |
| 0.5                                 | 12.5                                | 233 | 396               | 8.0  |
| 0.6                                 | 15                                  | 128 | 217               | 8.0  |

STALL @ 0.7" [17.8mm] – 8.1 Amps

