

12VDC AXIAL MOTOR FANS

FAN DIAMETER
10" [255mm]

MODEL INFORMATION*

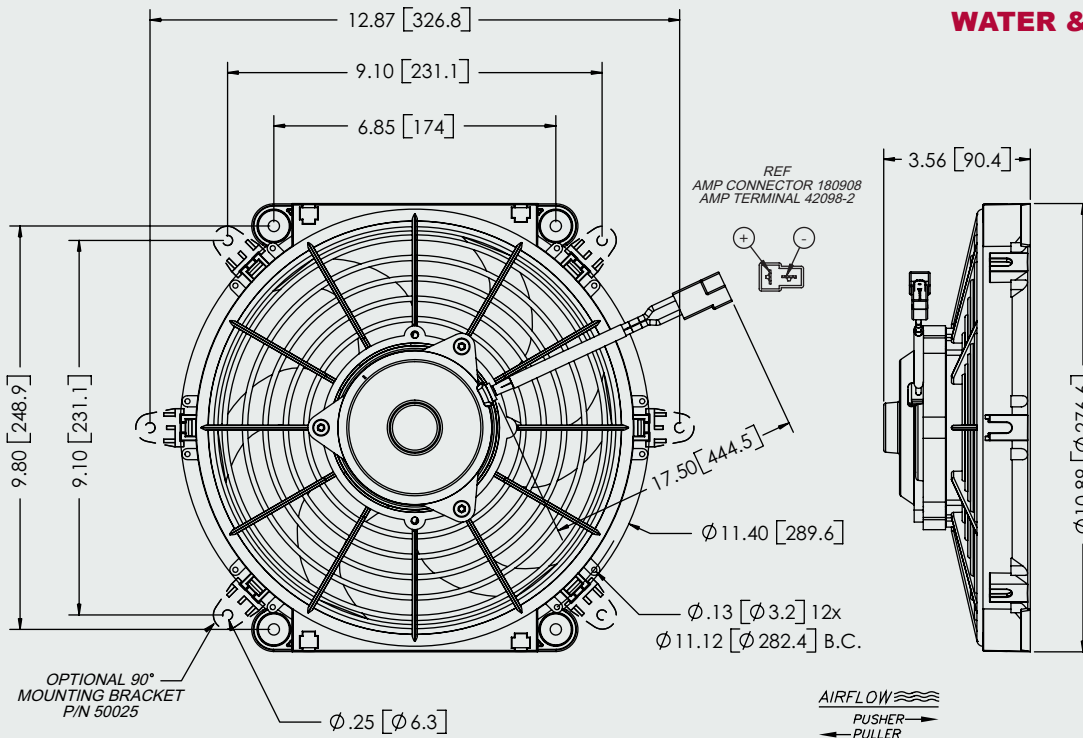
PART#	TYPE	VOLTS	WATTS	BLADE	MATERIAL
G-4010-A	PULLER	12VDC	160W	"S"	MFGF NYLON
G-4010-S	PUSHER	12VDC	160W	"S"	MFGF NYLON

*ALSO AVAILABLE IN 24VDC

REVERSIBLE



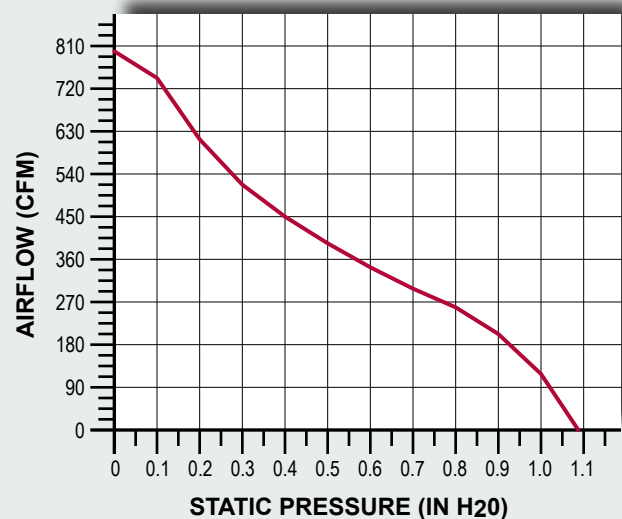
WATER & DUST RESISTANT



10" LOW PROFILE

TYPICAL AIR PERFORMANCE @ 13.5VDC 10" 160W "S" BLADE PULLER/PUSHER FANS

STATIC PRESSURE IN H ₂ O	STATIC PRESSURE mm H ₂ O	CFM	m ³ /h	Amps
0	0.0	799	1358	8.5
0.1	2.5	744	1264	8.4
0.2	5	612	1040	8.3
0.3	7.5	517	878	8.3
0.4	10	451	766	8.5
0.5	12.5	392	666	8.8
0.6	15	344	584	9.3
0.7	17.5	299	508	9.6
0.8	20	257	437	9.8
0.9	22.5	204	347	9.9
1.0	25	120	204	9.9



STALL @ 1.09" [27.7mm] – 10.1 Amps