

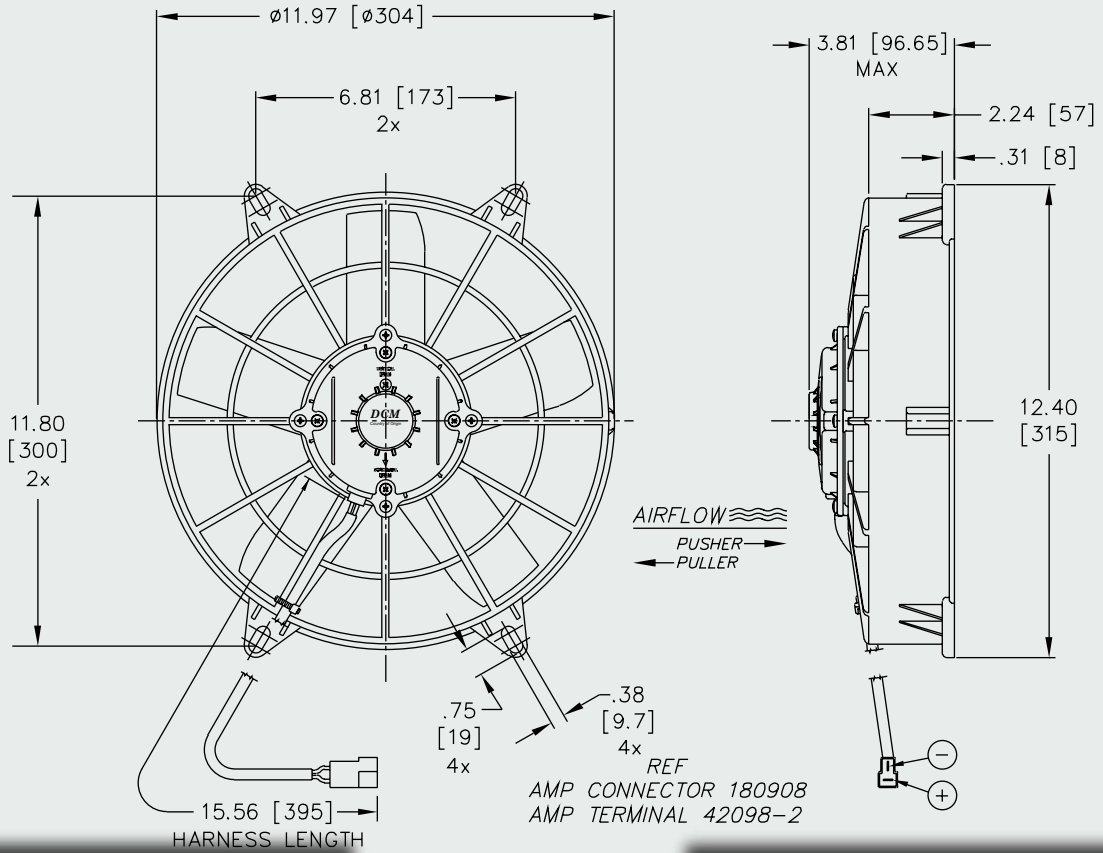
FAN DIAMETER
11" [280mm]

12VDC AXIAL MOTOR FANS



MODEL INFORMATION

PART#	TYPE	VOLTS	WATTS	BLADE	MATERIAL
TA11A3001	PULLER	12VDC	225W	STRAIGHT	GF NYLON
TA11S3001	PUSHER	12VDC	225W	STRAIGHT	GF NYLON
TB11A3001	PULLER	24VDC	225W	STRAIGHT	GF NYLON
TB11S3001	PUSHER	24VDC	225W	STRAIGHT	GF NYLON



TYPICAL AIR PERFORMANCE @ 13.5VDC 11" 225W STRAIGHT BLADE PULLER/PUSHER FANS

STATIC PRESSURE IN H ₂ O	STATIC PRESSURE mm H ₂ O	CFM	m ³ /h	Amps
0	0.0	1276	2168	11.0
0.1	2.5	1243	2112	11.3
0.2	5	1065	1809	12.3
0.3	7.5	967	1643	12.5
0.4	10	872	1482	12.8
0.5	12.5	748	1271	13.2
0.6	15	601	1021	13.2
0.7	17.5	505	858	13.4
0.8	20	417	708	13.6
1.0	25	254	432	13.7
1.2	30	100	170	14.5



STALL @ 1.32" [33.5mm]