

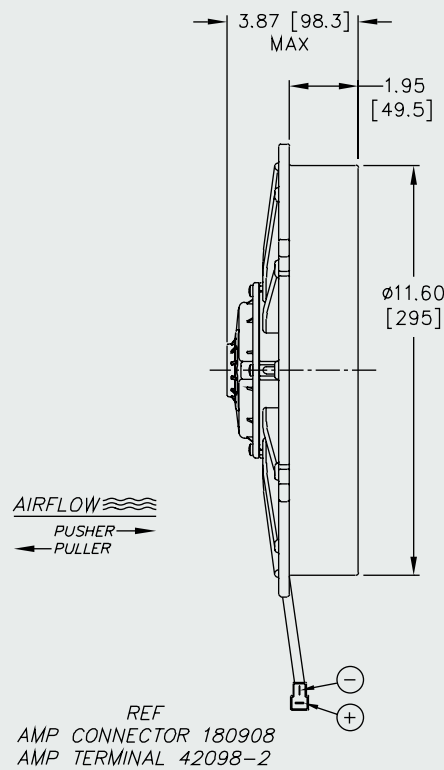
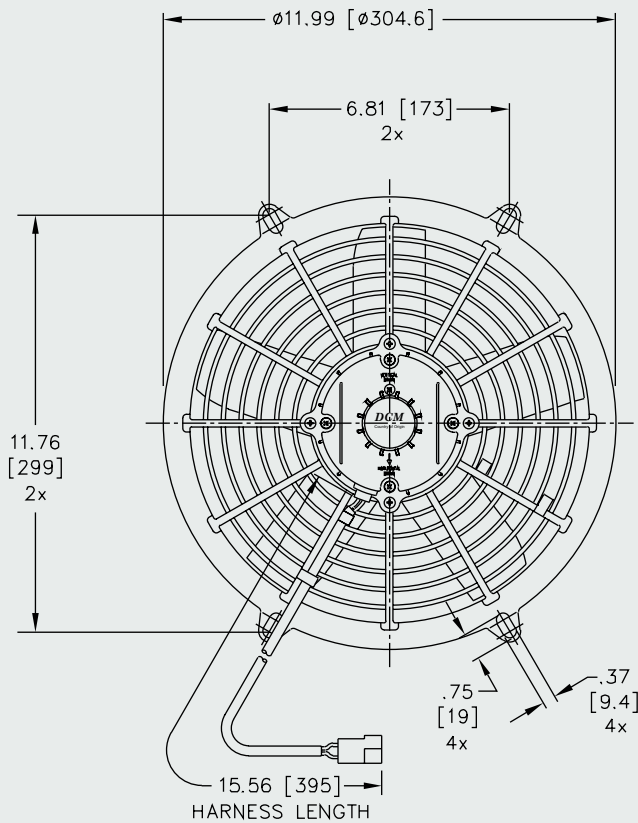
# 12VDC AXIAL MOTOR FANS

FAN DIAMETER  
11" [280mm]

## MODEL INFORMATION\*

PART#	TYPE	VOLTS	WATTS	BLADE	MATERIAL
TA11A3010	PULLER	12VDC	225W	STRAIGHT	GF NYLON
TA11S3010	PUSHER	12VDC	225W	STRAIGHT	GF NYLON

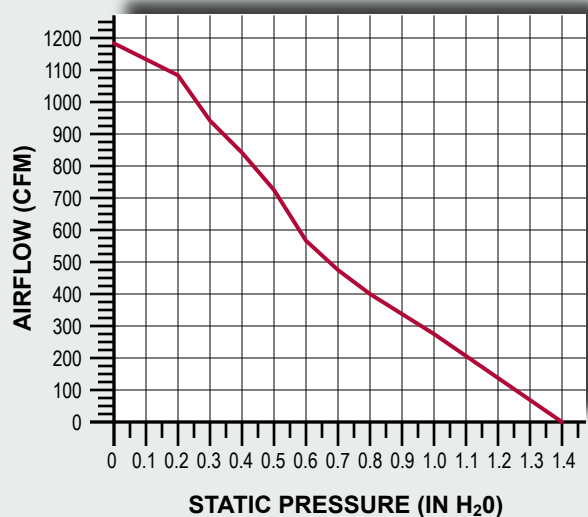
\*ALSO AVAILABLE IN 24VDC



## TYPICAL AIR PERFORMANCE @ 13.5VDC 11" 225W STRAIGHT BLADE PULLER/PUSHER FANS

STATIC PRESSURE IN H <sub>2</sub> O	STATIC PRESSURE mm H <sub>2</sub> O	CFM	m <sup>3</sup> /h	Amps
0	0.0	1183	2010	11.5
0.1	2.5	1132	1923	11.6
0.2	5	1083	1840	12.1
0.3	7.5	942	1600	12.4
0.4	10	845	1436	12.6
0.5	12.5	722	1227	12.7
0.6	15	565	960	12.5
0.7	17.5	474	805	13.1
0.8	20	402	683	13.6
1.0	25	284	483	14.1

STALL @ 1.4" [35.6mm]



11" HIGH PROFILE