

FAN DIAMETER
11" [280mm]

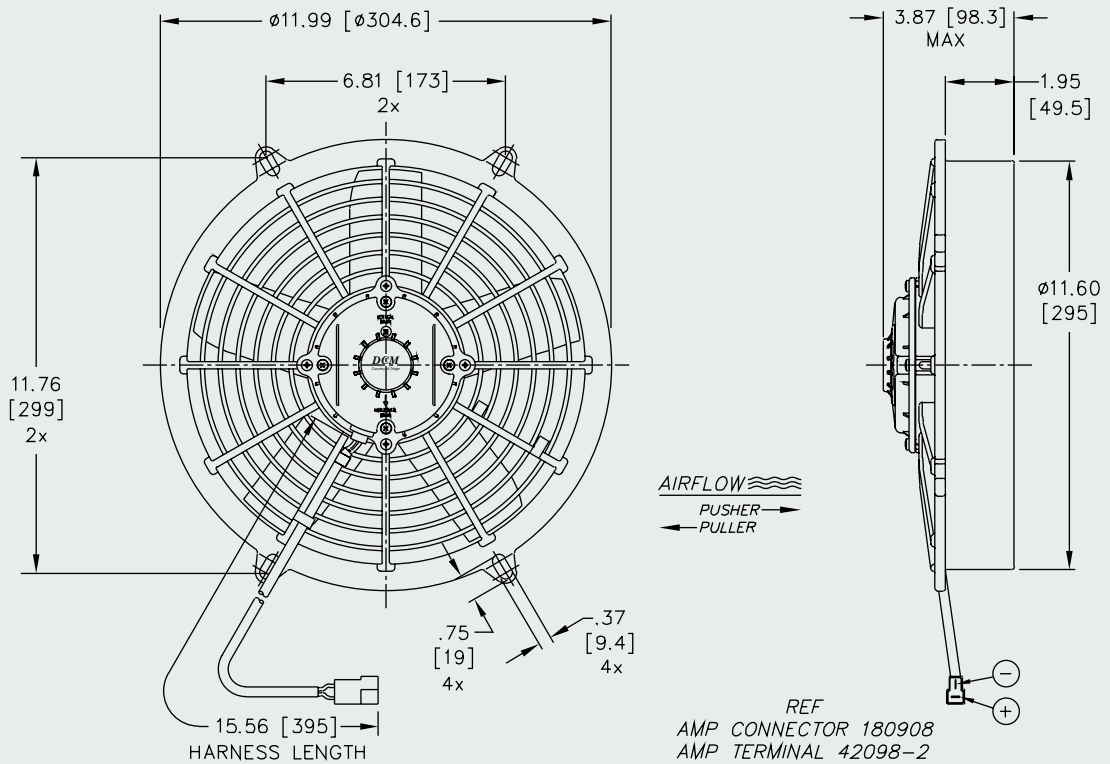
12VDC AXIAL MOTOR FANS



MODEL INFORMATION*

PART#	TYPE	VOLTS	WATTS	BLADE	MATERIAL
TA11A3012	PULLER	12VDC	225W	STRAIGHT	GF NYLON
TA11S3009	PUSHER	12VDC	225W	STRAIGHT	GF NYLON

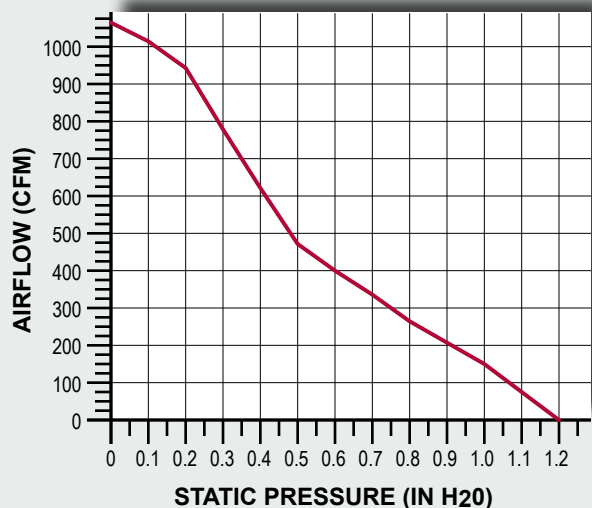
*ALSO AVAILABLE IN 24VDC



TYPICAL AIR PERFORMANCE @ 13.5VDC

11" 225W STRAIGHT BLADE PULLER/PUSHER FANS

STATIC PRESSURE IN H ₂ O	STATIC PRESSURE mm H ₂ O	CFM	m ³ /h	Amps
0	0.0	1064	1808	8.2
0.1	2.5	1016	1726	8.3
0.2	5	945	1606	8.9
0.3	7.5	778	1322	9.3
0.4	10	616	1047	9.2
0.5	12.5	469	797	9.5
0.6	15	398	676	9.9
0.7	17.5	332	564	10.3
0.8	20	267	454	10.4
0.9	22.5	205	348	10.7
1.0	25	148	251	10.9



STALL @ 1.2" [30.5mm]