

12VDC AXIAL MOTOR FANS

FAN DIAMETER
11" [280mm]

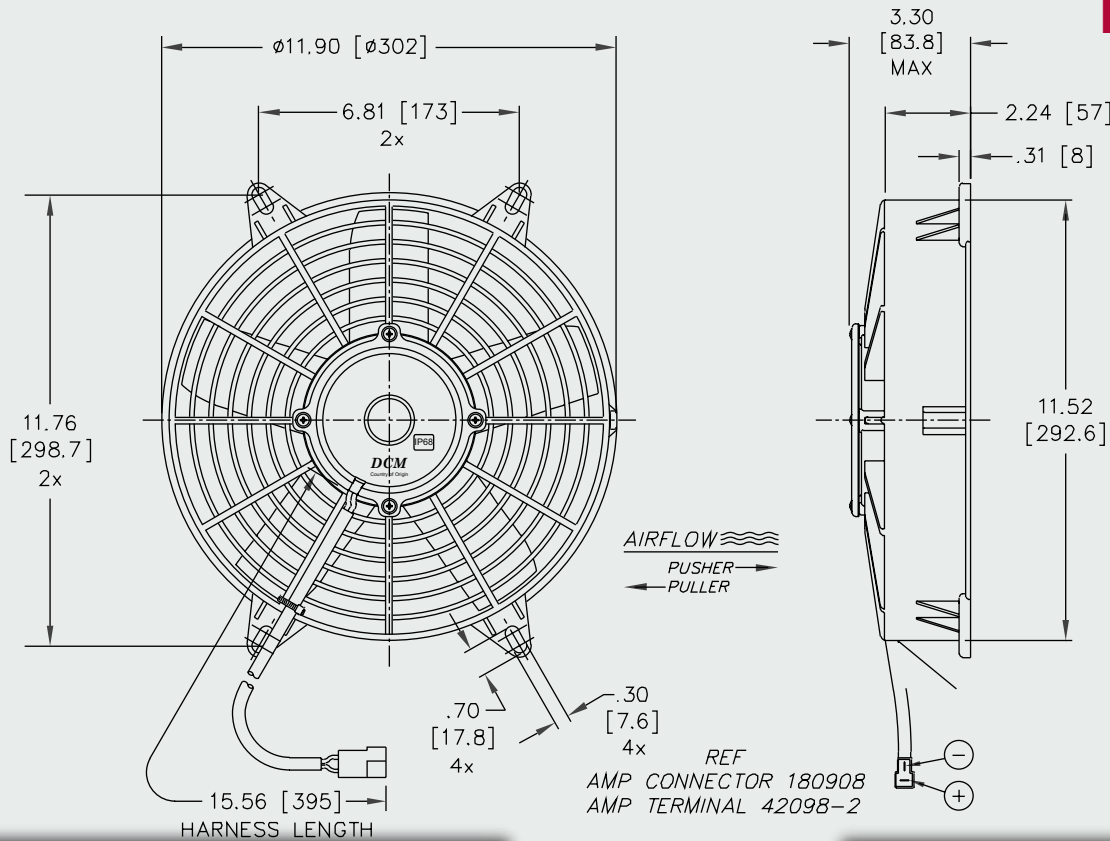
MODEL INFORMATION*

PART#	TYPE	VOLTS	WATTS	BLADE	MATERIAL
TA11A3014	PULLER	12VDC	225W	STRAIGHT	GF NYLON
TA11S3011	PUSHER	12VDC	225W	STRAIGHT	GF NYLON

*ALSO AVAILABLE IN 24VDC



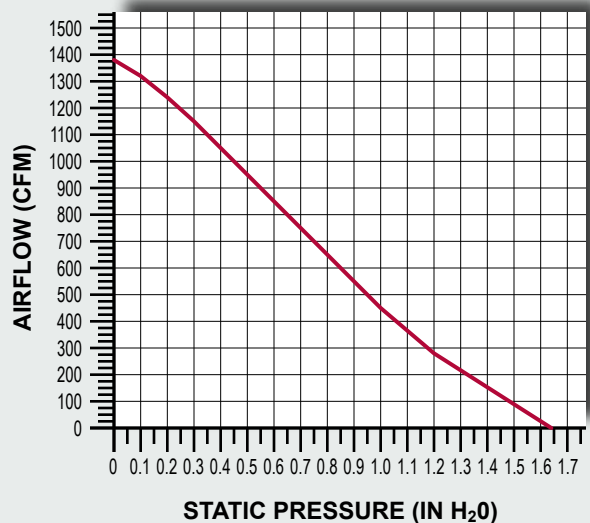
IP68



TYPICAL AIR PERFORMANCE @ 13.5VDC 11" 225W STRAIGHT BLADE PULLER/PUSHER FANS

STATIC PRESSURE IN H ₂ O	STATIC PRESSURE mm H ₂ O	CFM	m ³ /h	Amps
0	0.0	1383	2350	14.7
0.1	2.5	1322	2246	15.3
0.2	5	1237	2102	15.8
0.3	7.5	1146	1947	16.2
0.4	10	1050	1784	16.5
0.5	12.5	951	1616	16.8
0.6	15	851	1446	16.9
0.7	17.5	749	1273	17.1
0.8	20	648	1101	17.2
1.0	25	454	771	17.6
1.2	30	279	474	18.3

STALL @ 1.64" [41.7mm]



11" HIGH PROFILE