

12VDC AXIAL MOTOR FANS

FAN DIAMETER
12" [305mm]

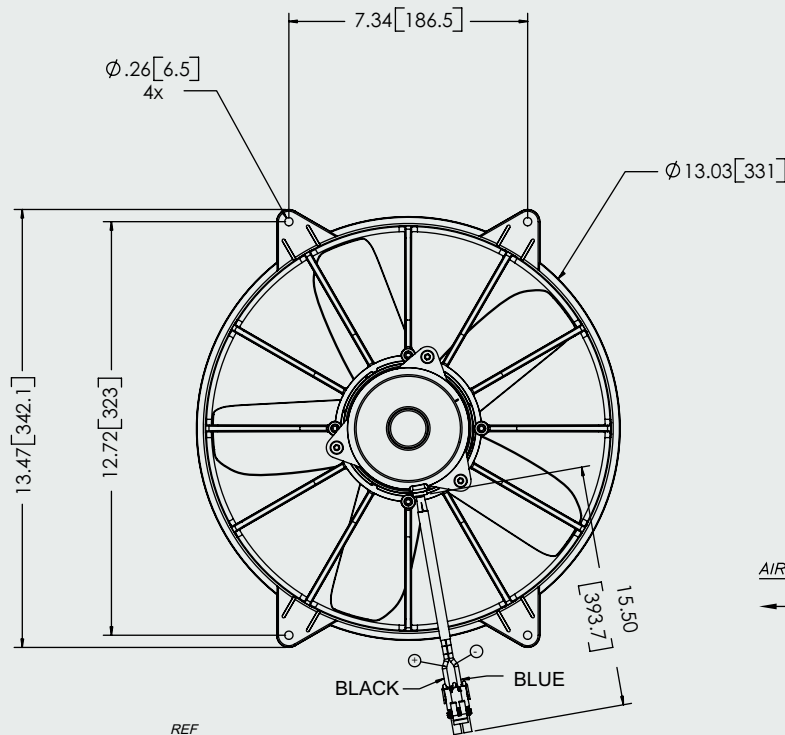
MODEL INFORMATION*

PART#	TYPE	VOLTS	WATTS	BLADE	MATERIAL
2375-A-3	PULLER	12VDC	225W	STRAIGHT	MFGF NYLON
2375-A-2	PUSHER	12VDC	225W	STRAIGHT	MFGF NYLON

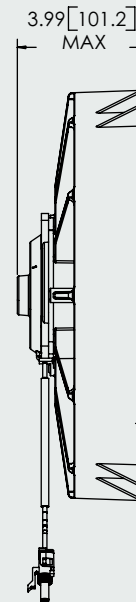
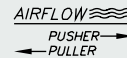
*ALSO AVAILABLE IN 24VDC



WATER & DUST RESISTANT



REF
PACKARD MALE TOWER 12015792
PACKARD FEMALE TERMINAL 12124580

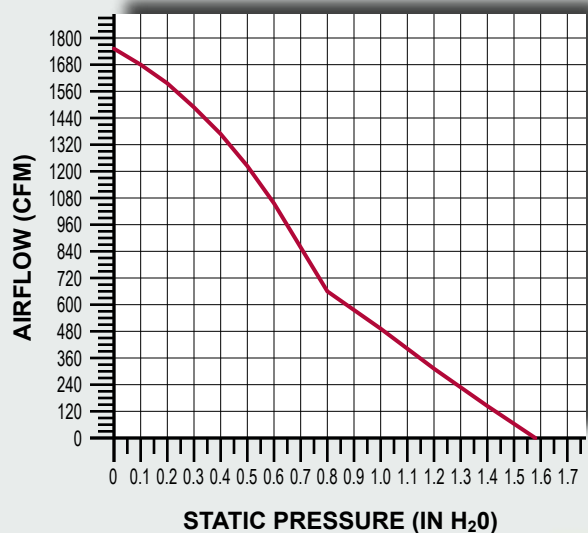


TYPICAL AIR PERFORMANCE @ 13.5VDC

12" 225W STRAIGHT BLADE PULLER/PUSHER FANS

STATIC PRESSURE IN H ₂ O	STATIC PRESSURE mm H ₂ O	CFM	m ³ /h	Amps
0	0.0	1755	2982	15.3
0.1	2.5	1676	2848	15.8
0.2	5	1596	2712	16.4
0.3	7.5	1492	2535	17.0
0.4	10	1369	2326	17.4
0.5	12.5	1229	2088	17.7
0.6	15	1058	1798	17.6
0.8	20	661	1123	18.0
1.0	25	491	834	19.7
1.2	30	311	528	21.1
1.4	35	143	243	22.4

STALL @ 1.58" [40.1mm] – 22.8 Amps



12" HIGH PROFILE