

**FAN DIAMETER
12" [305mm]**

12VDC AXIAL MOTOR FANS

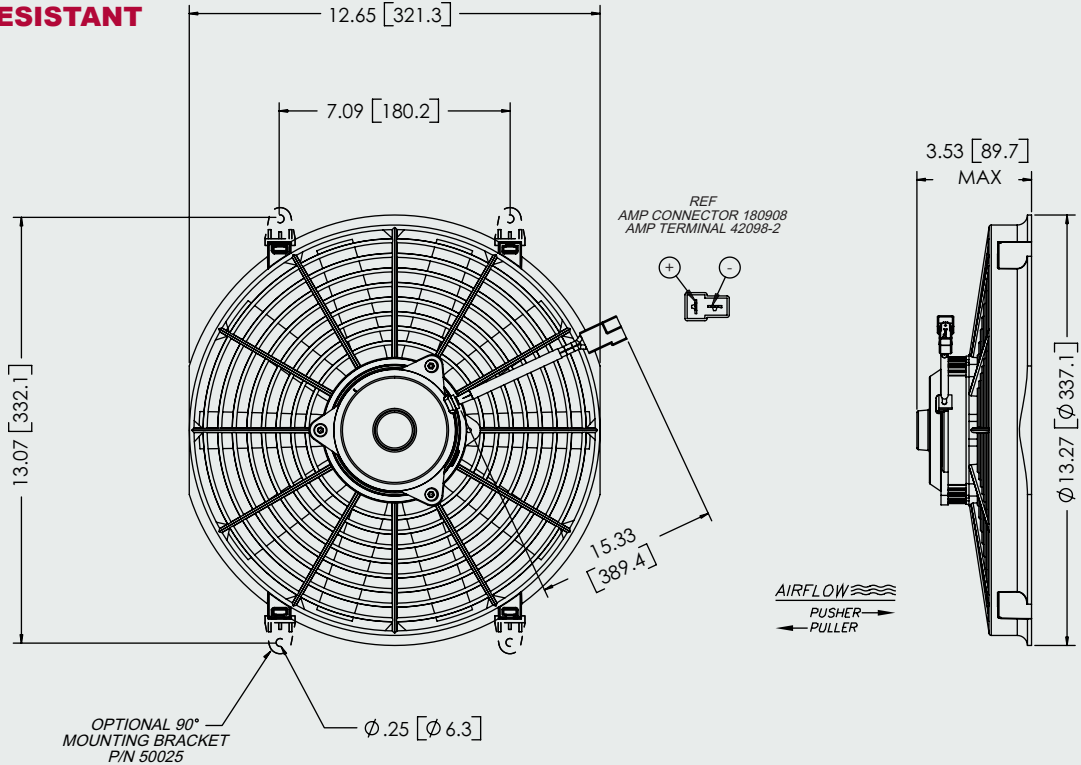


MODEL INFORMATION*					
PART#	TYPE	VOLTS	WATTS	BLADE	MATERIAL
860026HP	PULLER	12VDC	160W	STRAIGHT	MFGF NYLON
860028HP	PUSHER	12VDC	160W	STRAIGHT	MFGF NYLON

*ALSO AVAILABLE IN 24VDC

REVERSIBLE

WATER & DUST RESISTANT



TYPICAL AIR PERFORMANCE @ 13.5VDC 12" 160W STRAIGHT BLADE PULLER/PUSHER FANS				
STATIC PRESSURE IN H ₂ O	STATIC PRESSURE mm H ₂ O	CFM	m ³ /h	Amps
0	0.0	1029	1748	7.2
0.1	2.5	916	1556	7.4
0.2	5	793	1347	7.4
0.3	7.5	650	1104	7.3
0.4	10	472	802	7.2
0.5	12.5	315	535	7.2
0.6	15	131	223	7.2

STALL @ 0.71" [18mm] - 7.2 Amps

