

12VDC AXIAL MOTOR FANS

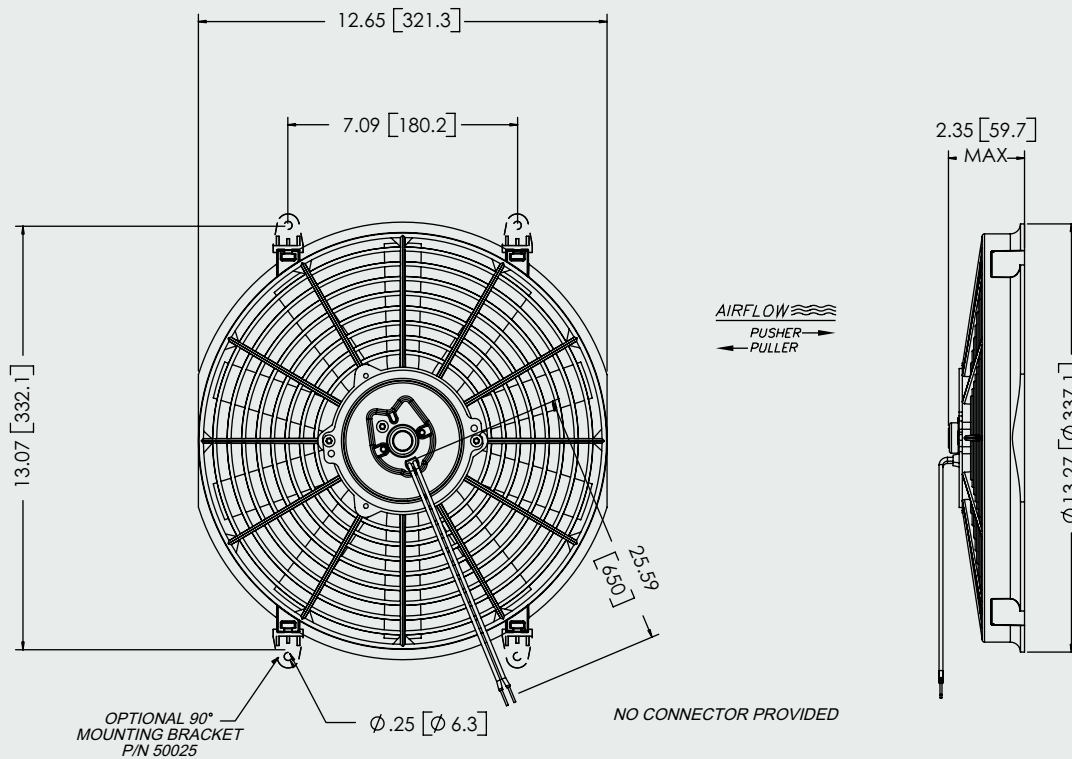
FAN DIAMETER
12" [305mm]

MODEL INFORMATION*

PART#	TYPE	VOLTS	WATTS	BLADE	MATERIAL
860026-90	PULLER	12VDC	90W	STRAIGHT	MFGF NYLON
860028-90	PUSHER	12VDC	90W	STRAIGHT	MFGF NYLON

*ALSO AVAILABLE IN 24VDC

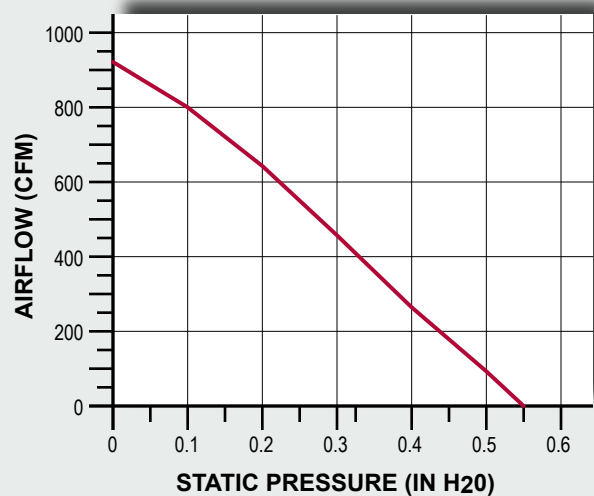
REVERSIBLE



TYPICAL AIR PERFORMANCE @ 13.5VDC 12" 90W STRAIGHT BLADE REVERSIBLE FANS

STATIC PRESSURE IN H ₂ O	STATIC PRESSURE mm H ₂ O	CFM	m ³ /h	Amps
0	0.0	920	1563	9.1
0.1	2.5	798	1356	9.1
0.2	5	644	1094	9.1
0.3	7.5	458	778	9.0
0.4	10	267	454	9.1
0.5	12.5	103	175	9.0

STALL @ 0.55" [14.0mm] – 9.1 Amps



12" LOW PROFILE