

12VDC AXIAL MOTOR FANS

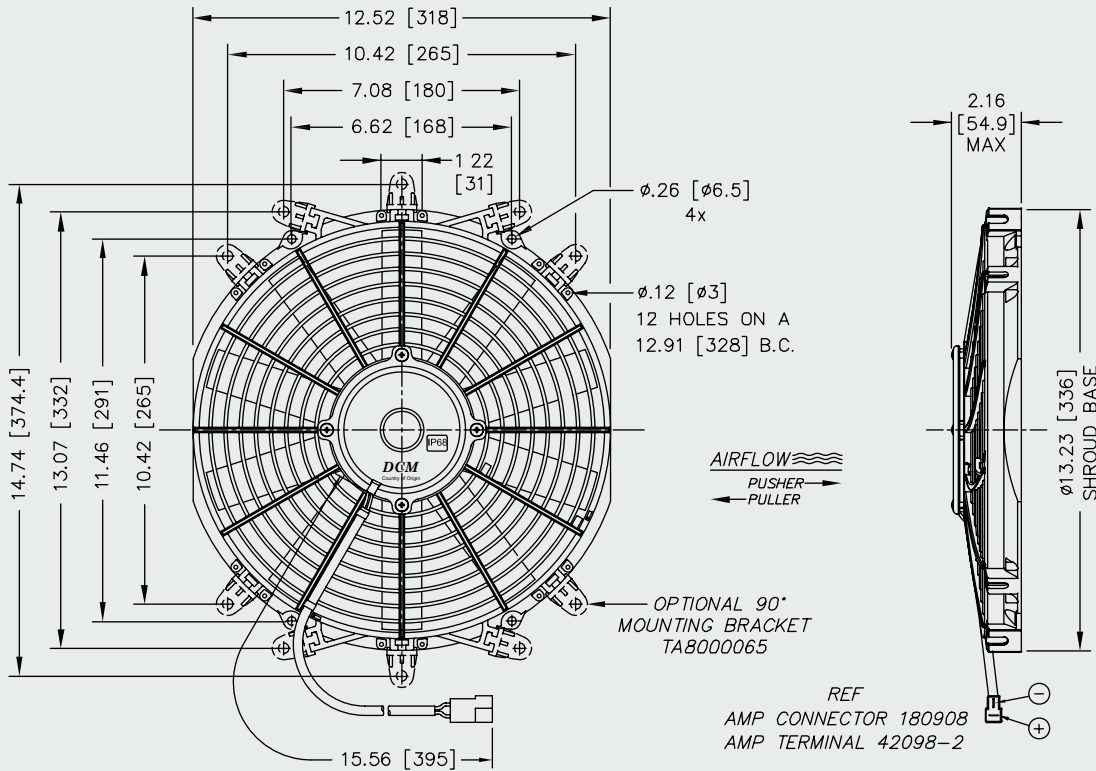
FAN DIAMETER
12" [305mm]

MODEL INFORMATION

PART#	TYPE	VOLTS	WATTS	BLADE	MATERIAL
TA12A1002	PULLER	12VDC	130W	STRAIGHT	GF NYLON
TA12S1002	PUSHER	12VDC	130W	STRAIGHT	GF NYLON
TB12A1002	PULLER	24VDC	130W	STRAIGHT	GF NYLON
TB12S1002	PUSHER	24VDC	130W	STRAIGHT	GF NYLON



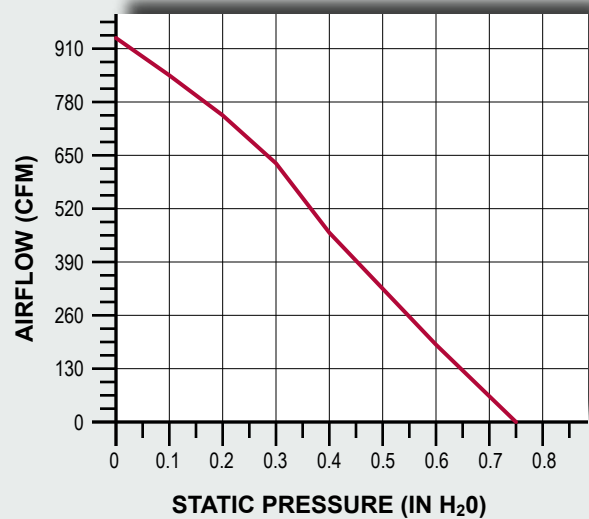
IP68



TYPICAL AIR PERFORMANCE @ 13.5VDC 12" 130W STRAIGHT BLADE PULLER/PUSHER FANS

STATIC PRESSURE IN H ₂ O	STATIC PRESSURE mm H ₂ O	CFM	m ³ /h	Amps
0	0.0	927	1575	5.5
0.1	2.5	842	1431	5.8
0.2	5	748	1271	6.2
0.3	7.5	630	1070	6.5
0.4	10	459	780	6.5
0.5	12.5	324	550	6.4
0.6	15	188	319	6.3

STALL @ 0.75" [19.1mm]



12" LOW PROFILE