

# 12VDC AXIAL MOTOR FANS

FAN DIAMETER  
14" [350mm]

## MODEL INFORMATION\*

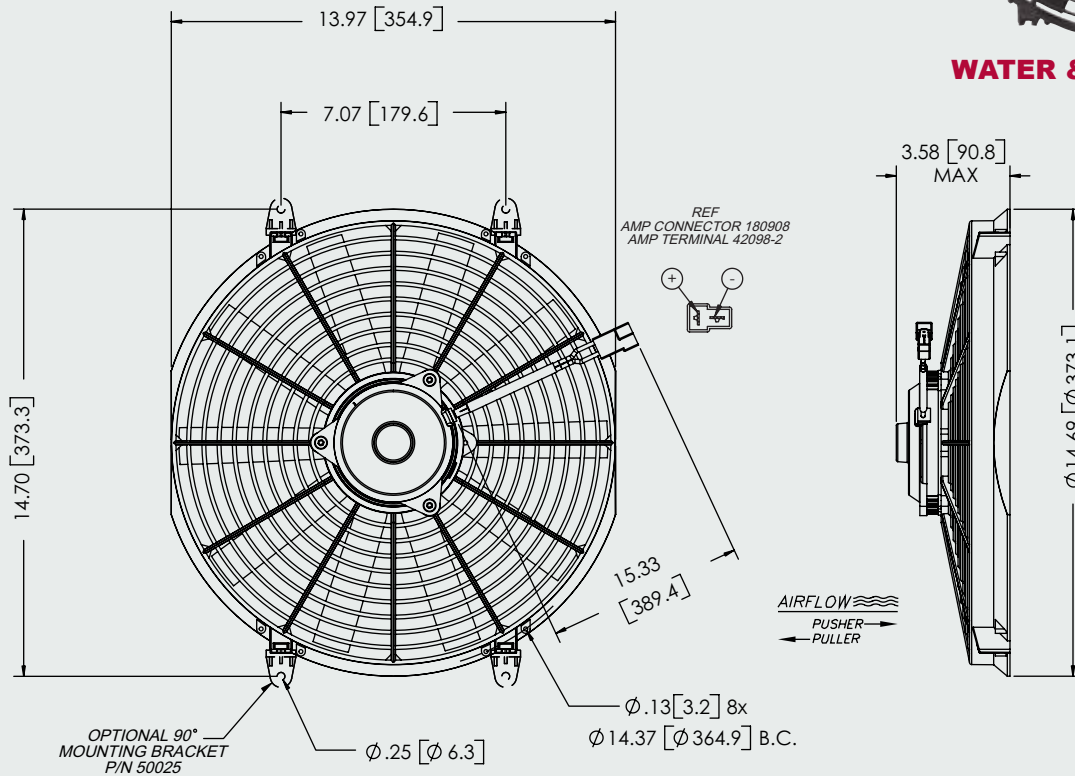
PART#	TYPE	VOLTS	WATTS	BLADE	MATERIAL
830075	PULLER	12VDC	160W	STRAIGHT	MFGF NYLON
830077	PUSHER	12VDC	160W	STRAIGHT	MFGF NYLON

\*ALSO AVAILABLE IN 24VDC

**REVERSIBLE**



**WATER & DUST RESISTANT**



## TYPICAL AIR PERFORMANCE @ 13.5VDC

14" 160W STRAIGHT BLADE PULLER/PUSHER FANS

STATIC PRESSURE IN H <sub>2</sub> O	STATIC PRESSURE mm H <sub>2</sub> O	CFM	m <sup>3</sup> /h	Amps
0	0.0	1245	2115	7.7
0.1	2.5	1093	1857	8.0
0.2	5	959	1629	8.2
0.3	7.5	769	1307	8.0
0.4	10	580	985	7.8
0.5	12.5	347	590	7.7
0.6	15	145	246	7.6

STALL @ 0.67" [17mm] - 7.6 Amps

