

FAN DIAMETER  
14" [350mm]

# 12VDC AXIAL MOTOR FANS

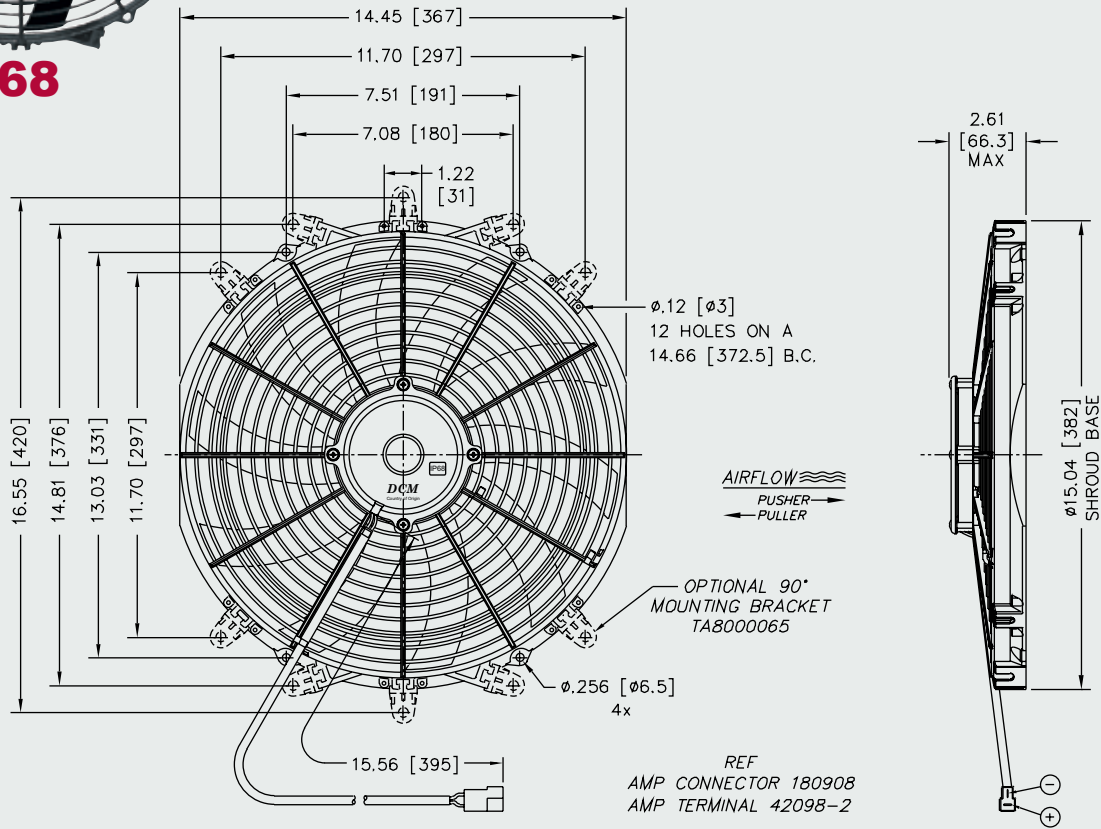


**IP68**

MODEL INFORMATION					
PART#	TYPE*	VOLTS	WATTS	BLADE	MATERIAL
TA14R2001	REVERSIBLE	12VDC	130W	"S"	GF NYLON
TB14R2001	REVERSIBLE	24VDC	130W	"S"	GF NYLON

\*SET UP AS PULLER FROM FACTORY

**REVERSIBLE**



TYPICAL AIR PERFORMANCE @ 13.5VDC 14" 130W "S" BLADE REVERSIBLE FAN				
STATIC PRESSURE IN H <sub>2</sub> O	STATIC PRESSURE mm H <sub>2</sub> O	CFM	m <sup>3</sup> /h	Amps
0	0.0	1177	2000	4.5
0.1	2.5	977	1660	5.0
0.2	5	720	1223	5.0
0.3	7.5	401	681	4.8
0.4	10	82	139	4.9

STALL @ 0.43" [10.9mm] - 5.1 Amps

