

FAN DIAMETER  
14" [350mm]

# 12VDC AXIAL MOTOR FANS

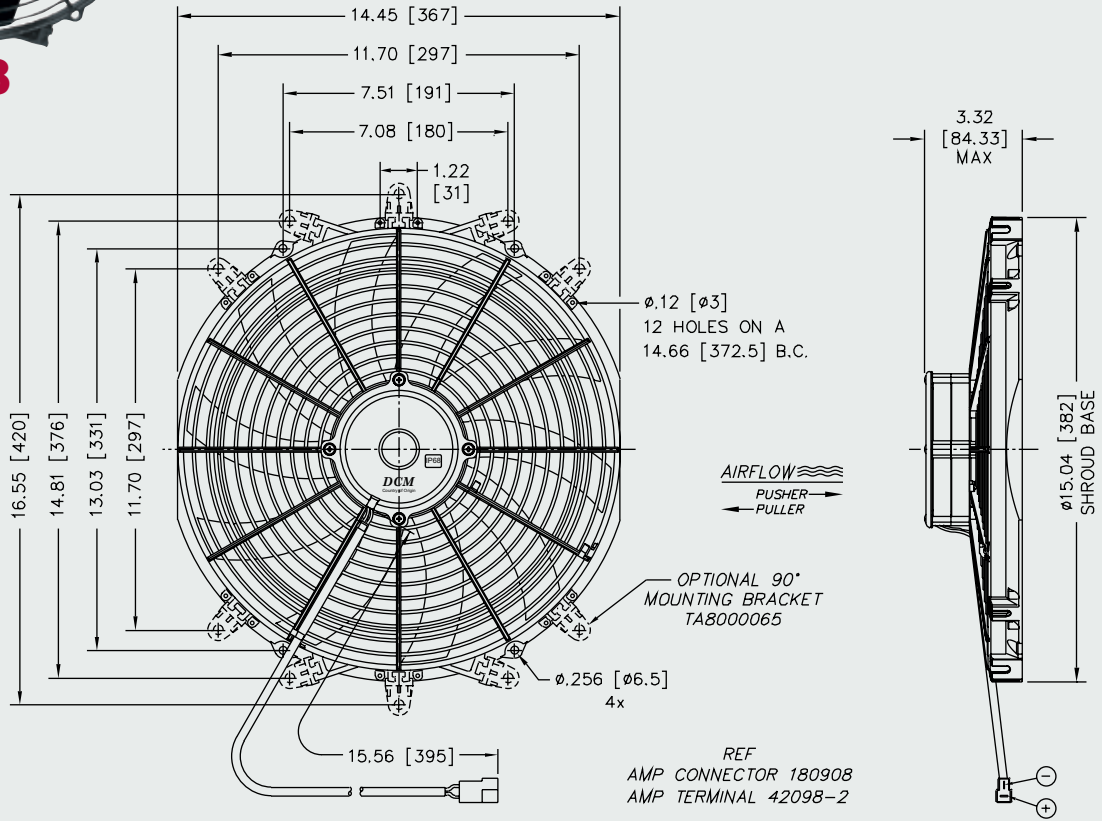


**IP68**

MODEL INFORMATION					
PART#	TYPE*	VOLTS	WATTS	BLADE	MATERIAL
TA14R2003	REVERSIBLE	12VDC	225W	"S"	GF NYLON
TB14R2003	REVERSIBLE	24VDC	225W	"S"	GF NYLON

\*SET UP AS PULLER FROM FACTORY

**REVERSIBLE**



TYPICAL AIR PERFORMANCE @ 13.5VDC				
14" 225W "S" BLADE REVERSIBLE FAN				
STATIC PRESSURE IN H <sub>2</sub> O	STATIC PRESSURE mm H <sub>2</sub> O	CFM	m <sup>3</sup> /h	Amps
0	0.0	1962	3333	16.8
0.1	2.5	1866	3170	17.3
0.2	5	1739	2955	17.5
0.3	7.5	1614	2742	17.6
0.4	10	1495	2540	18.0
0.5	12.5	1305	2217	18.1
0.6	15	1043	1772	17.8
0.7	17.5	832	1414	17.8
0.8	20	574	975	16.4

STALL @ 1.1" [27.9mm]

