

**FAN DIAMETER
16" [385mm]**

12VDC AXIAL MOTOR FANS



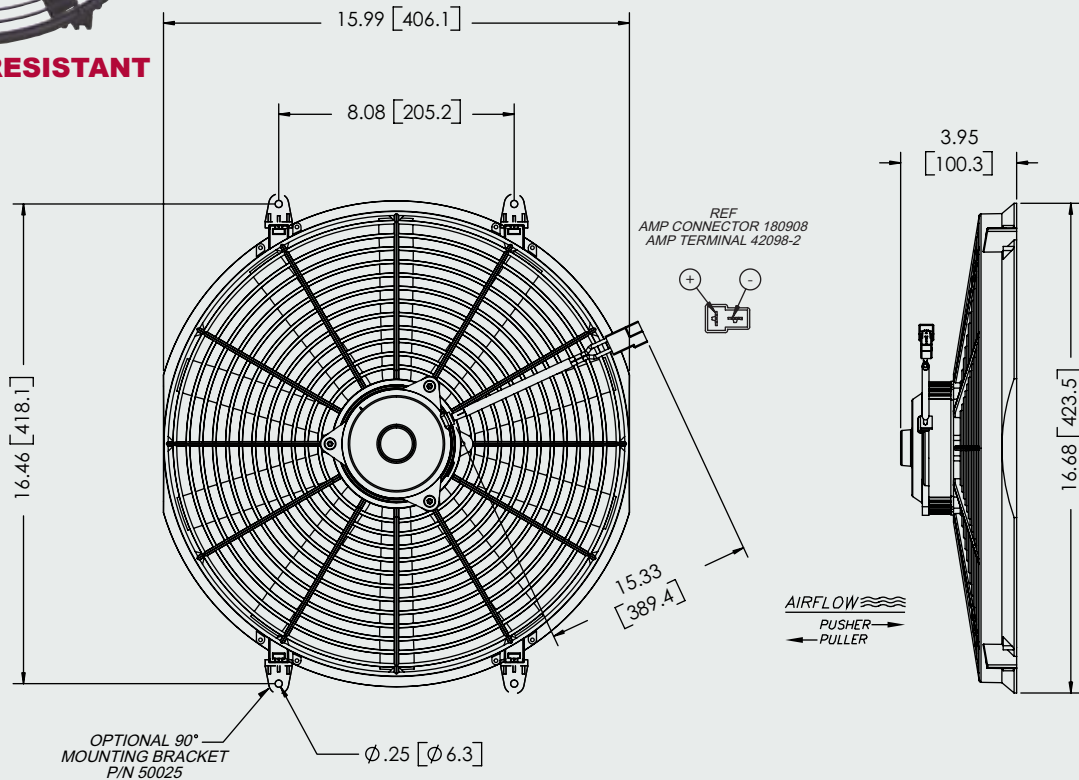
WATER & DUST RESISTANT

MODEL INFORMATION*

PART#	TYPE	VOLTS	WATTS	BLADE	MATERIAL
840025HP	PULLER	12VDC	225W	STRAIGHT	MFGF NYLON
840027HP	PUSHER	12VDC	225W	STRAIGHT	MFGF NYLON

*ALSO AVAILABLE IN 24VDC

REVERSIBLE



TYPICAL AIR PERFORMANCE @ 13.5VDC

16" 225W STRAIGHT BLADE PULLER/PUSHER FANS

STATIC PRESSURE IN H ₂ O	STATIC PRESSURE mm H ₂ O	CFM	m ³ /h	Amps
0	0.0	1733	2944	12.3
0.1	2.5	1574	2674	12.6
0.2	5	1419	2411	12.7
0.3	7.5	1210	2056	12.6
0.4	10	890	1512	12.3
0.5	12.5	532	904	12.0
0.6	15	330	561	12.0
0.7	17.5	97	165	11.8

STALL @ 0.74" [18.8mm] – 11.8 Amps

