

# 12VDC AXIAL MOTOR FANS

FAN DIAMETER  
16" [385mm]

## MODEL INFORMATION\*

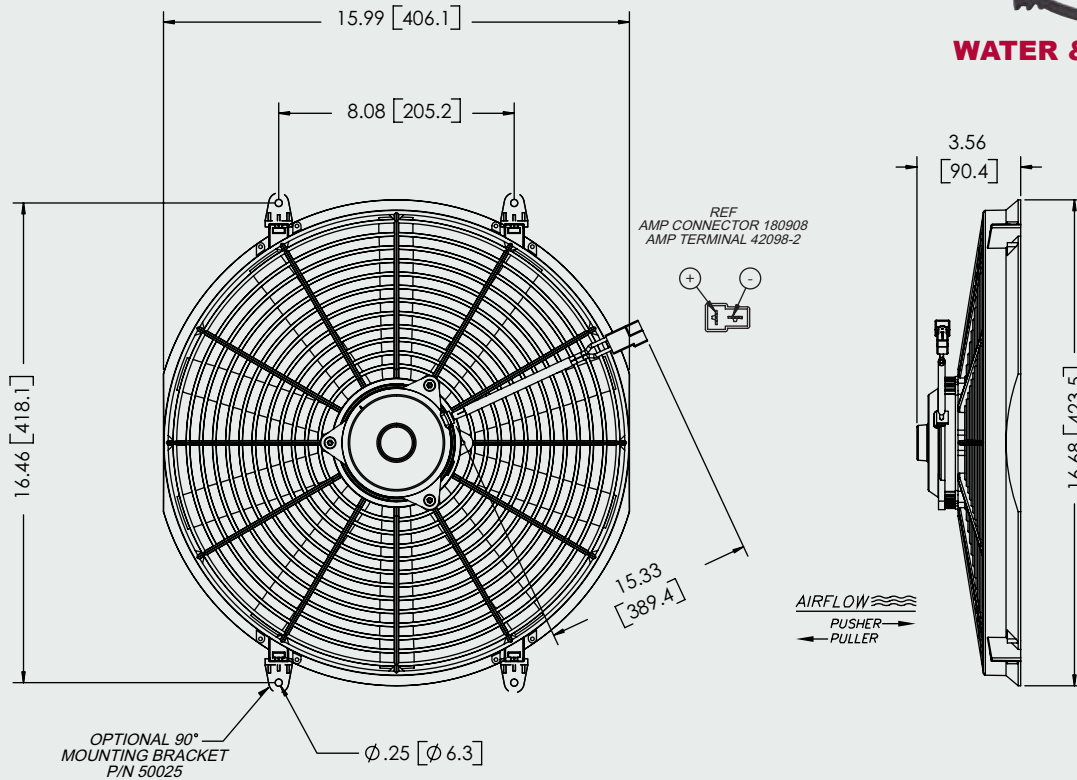
PART#	TYPE	VOLTS	WATTS	BLADE	MATERIAL
840025	PULLER	12VDC	160W	STRAIGHT	MFGF NYLON
840027	PUSHER	12VDC	160W	STRAIGHT	MFGF NYLON

\*ALSO AVAILABLE IN 24VDC

**REVERSIBLE**



**WATER & DUST RESISTANT**



16" LOW PROFILE

## TYPICAL AIR PERFORMANCE @ 13.5VDC

16" 160W STRAIGHT BLADE PULLER/PUSHER FANS

STATIC PRESSURE IN H <sub>2</sub> O	STATIC PRESSURE mm H <sub>2</sub> O	CFM	m <sup>3</sup> /h	Amps
0	0.0	1565	2659	11.5
0.1	2.5	1380	2345	11.6
0.2	5	1182	2008	11.7
0.3	7.5	898	1526	11.6
0.4	10	520	883	11.2
0.5	12.5	289	491	11.3
0.6	15	21	36	11.2

STALL @ 0.62" [15.7mm] – 11.2 Amps

