

12VDC AXIAL MOTOR FANS

FAN DIAMETER
6.5" [167mm]

6.5" LOW PROFILE

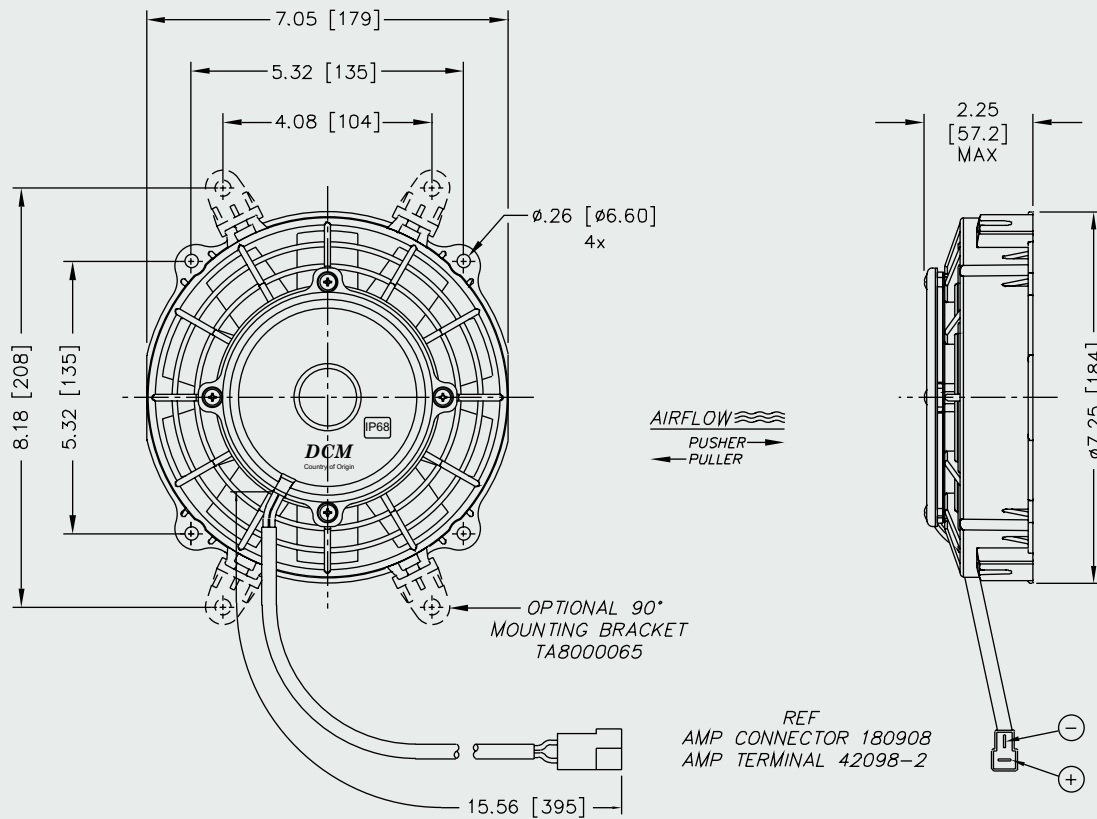
MODEL INFORMATION*

PART#	TYPE	VOLTS	WATTS	BLADE	MATERIAL
TA07A1001	PULLER	12VDC	130W	STRAIGHT	GF NYLON
TA07S1001	PUSHER	12VDC	130W	STRAIGHT	GF NYLON

*ALSO AVAILABLE IN 24VDC



IP68



TYPICAL AIR PERFORMANCE @ 13.5VDC 6.5" 130W "S" BLADE PULLER/PUSHER FANS

STATIC PRESSURE IN H ₂ O	STATIC PRESSURE mm H ₂ O	CFM	m ³ /h	Amps
0	0.0	349	593	5.4
0.1	2.5	333	566	5.4
0.2	5	303	515	5.4
0.3	7.5	269	457	5.4
0.4	10	226	384	5.2
0.5	12.5	184	313	5.3
0.6	15	160	272	5.3
0.7	17.5	142	241	5.3
0.8	20	125	212	5.3

STALL @ 1.2" [30.5mm] - 6.3 Amps

