

# 12VDC AXIAL MOTOR FANS

FAN DIAMETER  
8" [190mm]

## MODEL INFORMATION\*

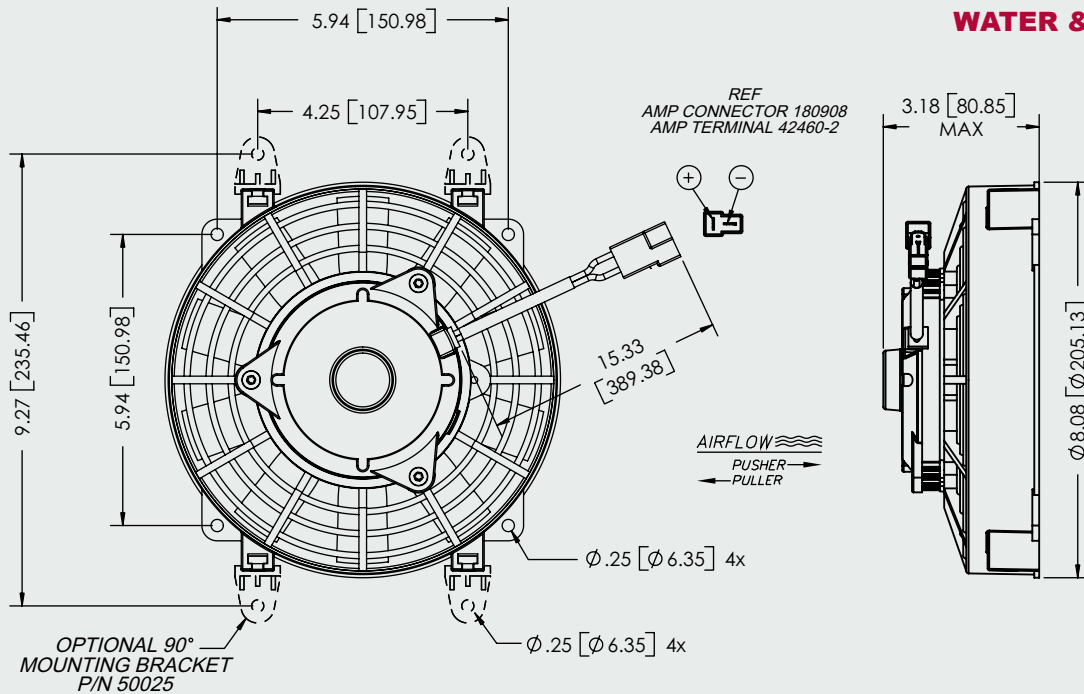
PART#	TYPE	VOLTS	WATTS	BLADE	MATERIAL
890026	PULLER	12VDC	125W	STRAIGHT	MFGF NYLON
890028	PUSHER	12VDC	125W	STRAIGHT	MFGF NYLON

\*ALSO AVAILABLE | 24VDC

**REVERSIBLE**



**WATER & DUST RESISTANT**



## TYPICAL AIR PERFORMANCE @ 13.5VDC

8" 125W STRAIGHT BLADE PULLER/PUSHER FANS

STATIC PRESSURE IN H <sub>2</sub> O	STATIC PRESSURE mm H <sub>2</sub> O	CFM	m <sup>3</sup> /h	Amps
0	0.0	364	618	4.9
0.1	2.5	324	550	4.7
0.2	5	262	445	4.5
0.3	7.5	198	336	4.4
0.4	10	157	267	4.6
0.5	12.5	123	209	4.7
0.6	15	76	129	4.7
0.7	17.5	32	54	4.8

STALL @ 0.8" [20.3mm] - 4.8 Amps

