

**FAN DIAMETER
8" [190mm]**

12VDC AXIAL MOTOR FANS

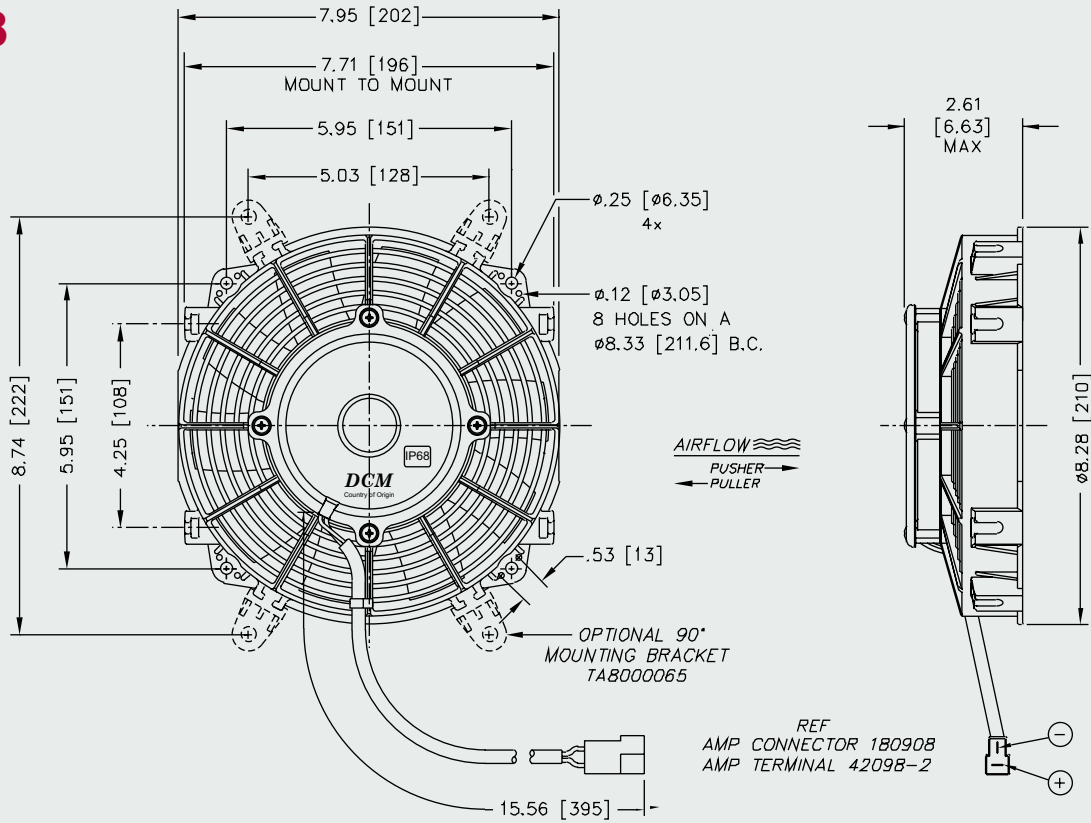


IP68

MODEL INFORMATION*

PART#	TYPE**	VOLTS	WATTS	BLADE	MATERIAL
TA08R2002	REVERSIBLE	12VDC	130W	"S"	GF NYLON
*ALSO AVAILABLE IN 24VDC			**SET UP AS PULLER FROM FACTORY		

REVERSIBLE



TYPICAL AIR PERFORMANCE @ 13.5VDC 8" 130W "S" BLADE REVERSIBLE FANS

STATIC PRESSURE IN H ₂ O	STATIC PRESSURE mm H ₂ O	CFM	m ³ /h	Amps
0	0.0	421	715	7.9
0.1	2.5	395	671	8.0
0.2	5	365	620	7.9
0.3	7.5	309	525	7.7
0.4	10	255	435	7.6
0.5	12.5	217	369	7.8
0.6	15	189	321	8.0
0.7	17.5	164	279	8.2
0.8	20	146	248	8.5
0.9	22.5	126	214	8.5
1.0	25	100	170	8.6

STALL @ 1.4" [35.6mm] - 9.7 Amps

