

12VDC AXIAL MOTOR FANS

FAN DIAMETER
9" [225mm]

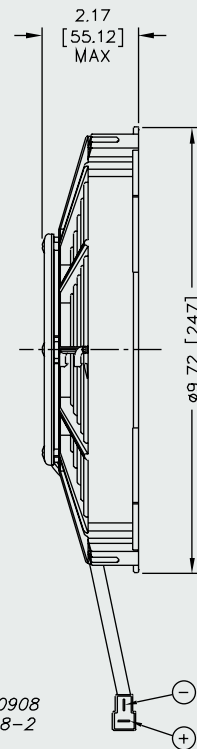
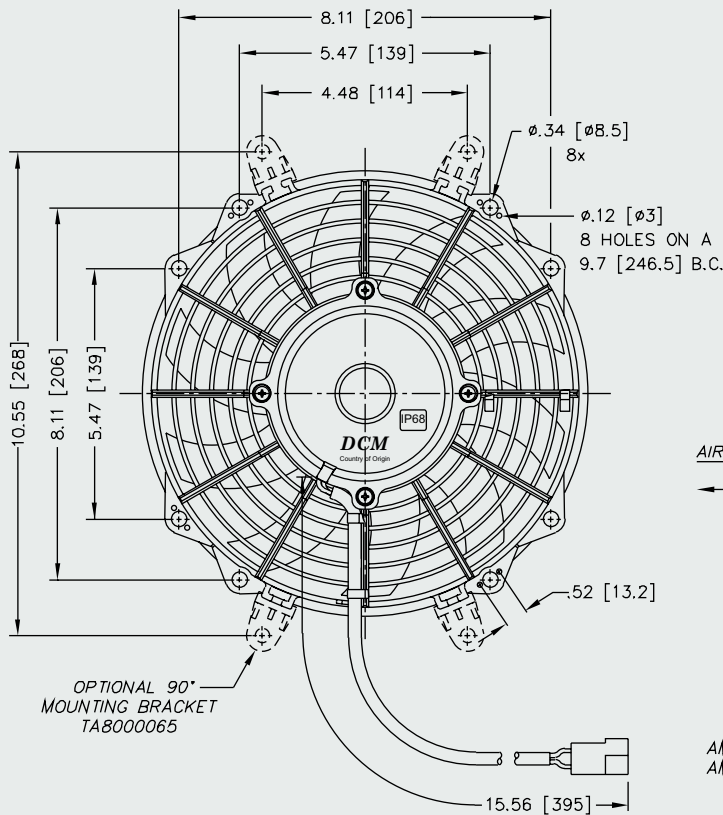
MODEL INFORMATION*

PART#	TYPE	VOLTS	WATTS	BLADE	MATERIAL
TA09A2002	PULLER	12VDC	130W	"S"	GF NYLON

*ALSO AVAILABLE IN 24VDC



IP68



AIRFLOW
PUSHER →
← PULLER

REF
AMP CONNECTOR 180908
AMP TERMINAL 42098-2

9" LOW PROFILE

TYPICAL AIR PERFORMANCE @ 13.5VDC 9" 130W "S" BLADE PULLER FANS

STATIC PRESSURE IN H ₂ O	STATIC PRESSURE mm H ₂ O	CFM	m ³ /h	Amps
0	0.0	695	1181	6.6
0.1	2.5	665	1130	6.9
0.2	5	630	1070	7.1
0.3	7.5	583	991	7.3
0.4	10	518	880	7.5
0.6	15	368	625	7.7
0.8	20	221	375	8.0
1.0	25	141	240	8.4
1.2	30	71	121	9.0

STALL @ 1.38" [35.1mm]

