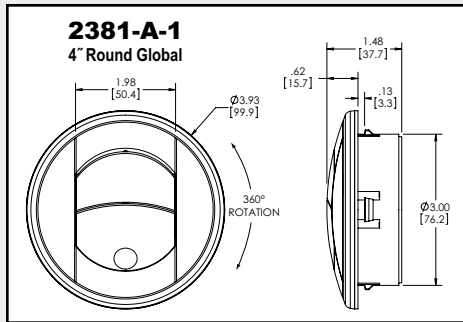
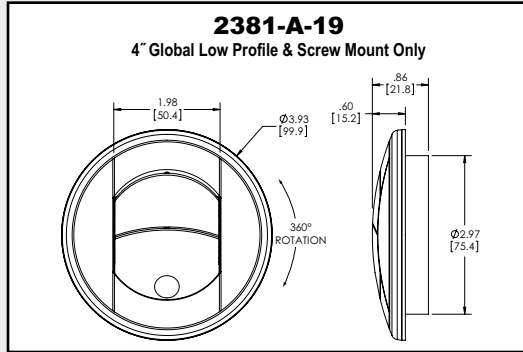
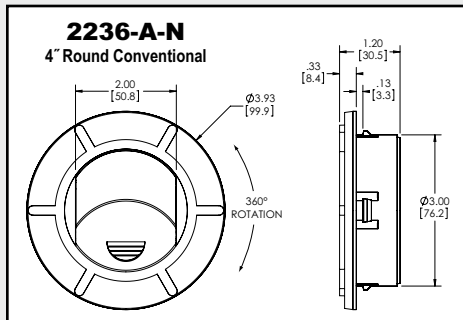


## 4" Round Global & Conventional Series



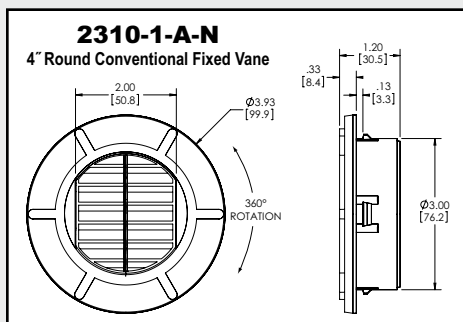
GLOBAL SERIES (Adjustable Vane)	
PART#	DESCRIPTION
2381-A	W/Retainer & 2.5" Hose Adapter (2178-A)
2381-A-2	W/Retainer & 2.5" Hose Adapter w/Barbs (2383-A)
2381-A-3	W/Retainer & 3" Hose Adapter (2202-A)
2381-A-1	W/Retainer (2177)
2381-LA	Louver Only

See Retainer Adapter & Options on opposite page.



CONVENTIONAL SERIES (Adjustable Vane)	
PART#	DESCRIPTION
2236-A	W/Retainer & 2.5" Hose Adapter (2178-A)
2236-A-3	W/Retainer & 3" Hose Adapter (2202-A)
2236-A-N	W/Retainer (2177)
2236-LA	Louver Only

See Retainer Adapter & Options on opposite page.



CONVENTIONAL SERIES (Fixed Vane)	
PART#	DESCRIPTION
2310-1-A	W/Retainer & 2.5" Hose Adapter (2178-A)
2310-1-A-3	W/Retainer & 3" Hose Adapter (2202-A)
2310-1-A-N	W/Retainer (2177)
2310-1-LA	Louver Only

See Retainer Adapter & Options on opposite page.

All louvers are molded out of High Impact ABS (black). Special order color and high heat material available upon request (minimum quantities apply).

# LOUVERS & ACCESSORIES

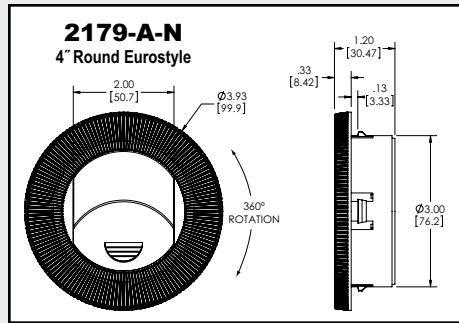
4" ROUND & HOSE ADAPTERS

## 4" Round Eurostyle & Prestige Series

### EUROSTYLE (Adjustable Vane)

PART#	DESCRIPTION
2179-A	W/Retainer & 2.5" Hose Adapter (2178-A)
2179-A-3	W/Retainer & 3" Hose Adapter (2202-A)
2179-A-N	W/Retainer (2177)
2179-A-1	Louver Only

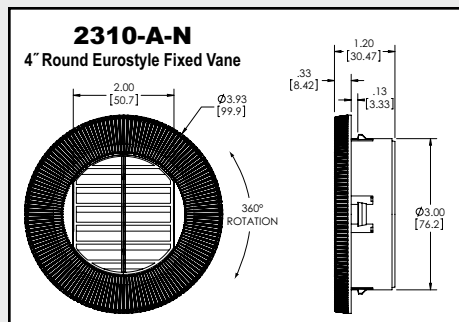
See Retainer & Adapter Options below.



### EUROSTYLE (Fixed Vane)

PART#	DESCRIPTION
2310-A	W/Retainer & 2.5" Hose Adapter (2178-A)
2310-A-3	W/Retainer & 3" Hose Adapter (2202-A)
2310-A-N	W/Retainer (2177)
2179-2310	Louver Only

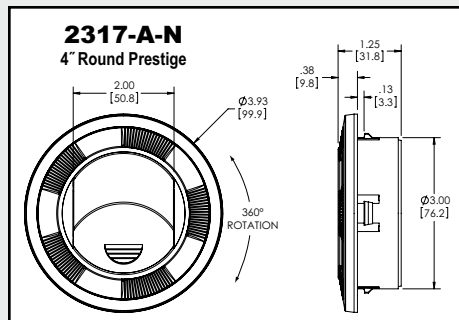
See Retainer & Adapter Options below.



### PRESTIGE (Adjustable Vane)

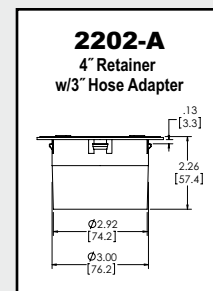
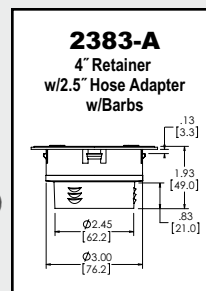
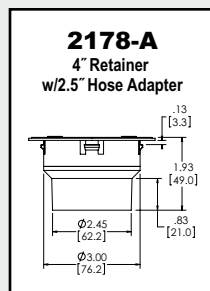
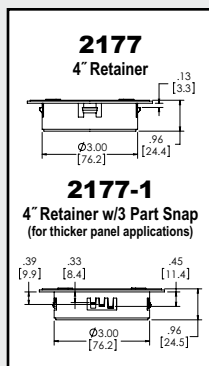
PART#	DESCRIPTION
2317-A	W/Retainer & 2.5" Hose Adapter (2178-A)
2317-A-3	W/Retainer & 3" Hose Adapter (2202-A)
2317-A-N	W/Retainer (2177)
2317-A-1	Louver Only

See Retainer & Adapter Options below.



All louvers are molded out of High Impact ABS (black). Special order color and high heat material available upon request (minimum quantities apply).

## Retainer & Hose Adapter Options for 4" Round Louvers



Our 4" Round Louvers can be mounted in a plenum with or without hose adapters. They can snap into place or be secured with screws (contact DCM for detailed drawings). Standard color is black with ABS material. Other options available. Please contact DCM for more information.