

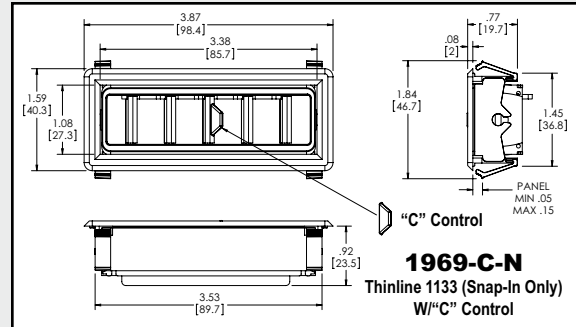
# LOUVERS & ACCESSORIES

## Thinline Series

1969-W-N

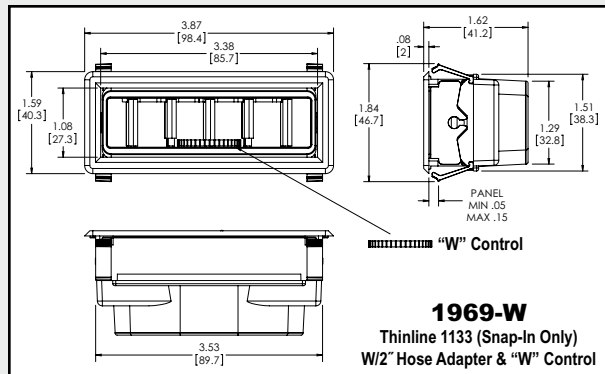


1969-HS



| THINLINE 1133 (Snap-In Only) |                                 |
|------------------------------|---------------------------------|
| PART#                        | DESCRIPTION                     |
| 1969-C-N (1969-HS-N)*        | W/"C" Control                   |
| 1969-W-N                     | W/"W" Control                   |
| 1969-C (1969-HS)*            | W/2" Hose Adapter & "C" Control |
| 1969-W (1969-W-HS)*          | W/2" Hose Adapter & "W" Control |

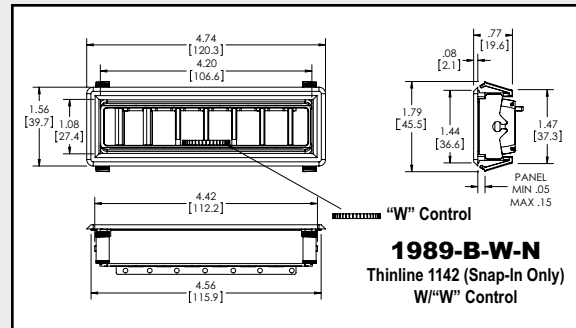
\* Hot stamp (black w/chrome features) part #'s in ().



1989-B-N

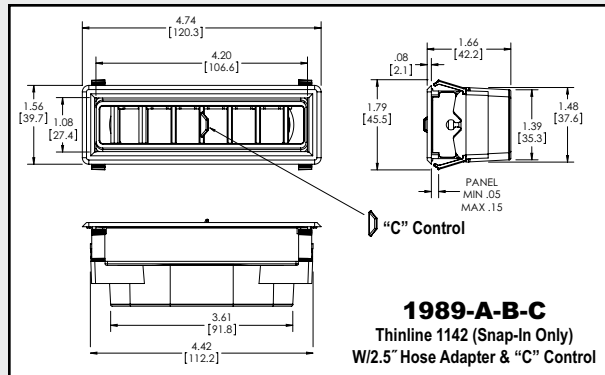


1989-HS-C



| THINLINE 1142 (Snap-In Only) |                                    |
|------------------------------|------------------------------------|
| PART#                        | DESCRIPTION                        |
| 1989-B-N (1989-HS-C-N)*      | W/"C" Control                      |
| 1969-B-W-N (1989-HS-W-N-1)*  | W/"W" Control                      |
| 1989-A-B-C (1989-HS-C)*      | W/2.5" Hose Adapter. & "C" Control |
| 1989-A-B-W (1989-HS-W)*      | W/2.5" Hose Adapter & "W" Control  |

\* Hot stamp (black w/chrome features) part #'s in ().



**TECHNICAL DATA:**

1. Material – High Impact ABS (black).
2. Specify black or black w/chrome features (HS = hot stamp).
3. Special order colors available upon request (minimum quantities apply).
4. Snap-In type box design.
5. "C" Control is a tab - "W" Control is a wheel.
6. Other options available. Please contact DCM for more information.