

DEFROST - VENTILATION FANS



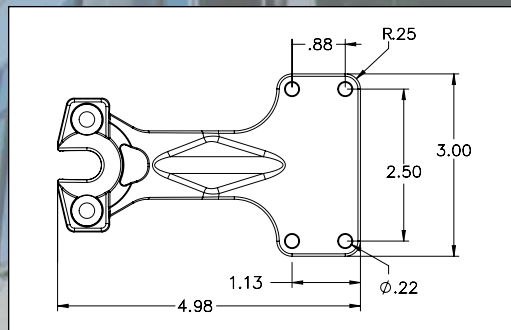
5000 SERIES - HEAVY DUTY FANS



F-500112B



**ADJUSTABLE TENSION
SWIVEL DESIGN**



Heavy Duty Die Cast Base

DESCRIPTION							
PART #	QTY. REQ.	VOLTAGE	BLADE	GUARD	SWITCH	BASE	MOTOR
F-500112B	6/BOX	12V	ALUMINUM	CHROME	NONE	METAL	2 SPD, PM
F-500612B	6/BOX	12V	ALUMINUM	CHROME	NONE	BLACK	2 SPD, PM