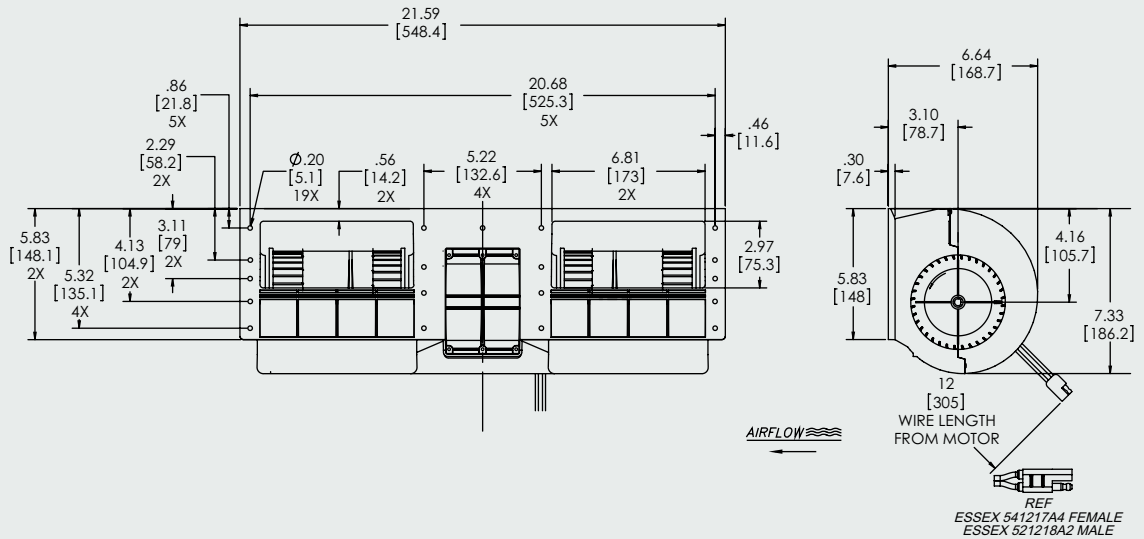


**BH1900 SERIES
SINGLE SCROLL**

12VDC CENTRIFUGAL BLOWERS



MODEL INFORMATION*				
PART#	TYPE	VOLTS	SPEED	MATERIAL**
BH1900-01-12V	DUAL SCROLL	12VDC	SINGLE	**HOUSING - ABS
*ALSO AVAILABLE IN 24VDC			**WHEELS - MFGF NYLON	
**ALSO AVAILABLE IN OTHER MATERIALS				



TYPICAL AIR PERFORMANCE @ 13.5VDC
BH1900 SINGLE SPEED DUAL SCROLL BLOWER

STATIC PRESSURE IN H ₂ O	STATIC PRESSURE mm H ₂ O	CFM	m ³ /h	Amps
0	0.0	920	1563	25.2
0.1	2.5	894	1519	24.6
0.2	5	865	1470	23.8
0.3	7.5	832	1414	23.0
0.4	10	807	1371	22.4
0.5	12.5	777	1320	21.8
0.6	15	736	1250	20.8
0.7	17.5	709	1205	20.1
0.8	20	667	1133	19.0
0.9	22.5	627	1065	18.1
1.0	25	583	991	17.3
1.2	30	415	705	13.6
1.4	35	266	452	10.5
1.6	40	194	330	9.2
1.8	45	112	190	8.2

STALL @ 2.16" [54.9mm] – 7.4 Amps

