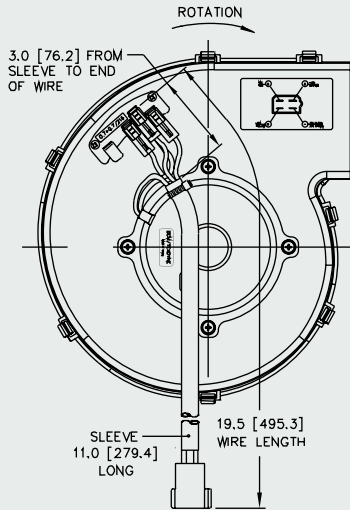


12VDC CENTRIFUGAL BLOWERS

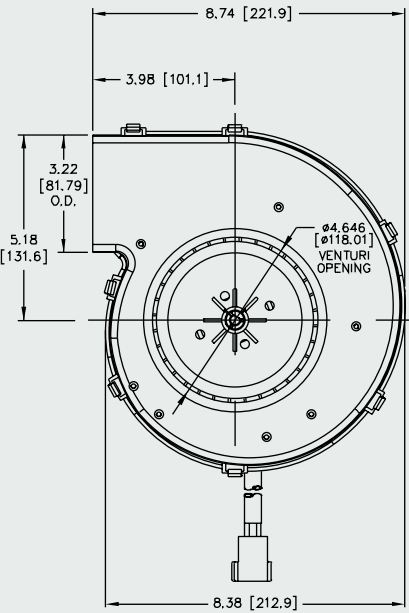
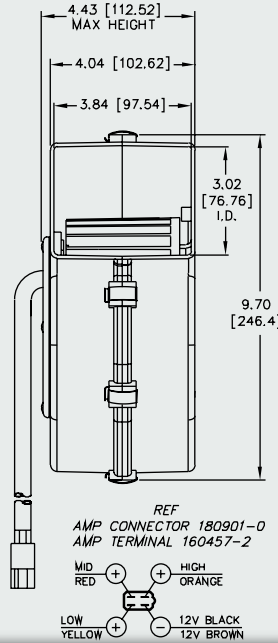


IP68



MODEL INFORMATION*						
PART#	TYPE	VOLTS	WATTS	SPEEDS	ROTATION**	MATERIAL
TA0130006	SINGLE SCROLL	12VDC	160W	3 (HI MED LO)	CW	GF NYLON
TA0130007	SINGLE SCROLL	12VDC	160W	3 (HI MED LO)	CCW	GF NYLON

*ALSO AVAILABLE IN 24VDC **CCW MODEL SHOWN; CW UNIT IS MIRROR BUILD



**TYPICAL AIR PERFORMANCE @ 13.5VDC
TEC2000 SINGLE SCROLL BLOWER HI SPEED**

STATIC PRESSURE IN H ₂ O	STATIC PRESSURE mm H ₂ O	CFM	m ³ /h	Amps
0	0.0	313	532	12.8
0.1	2.5	303	515	12.6
0.2	5	299	508	12.5
0.3	7.5	294	496	12.4
0.4	10	288	489	12.2
0.5	12.5	280	476	12.2
0.6	15	269	457	11.8
0.7	17.5	264	449	11.4
0.8	20	253	430	11.2
0.9	22.5	242	411	11.0
1.0	25	233	396	10.7
1.2	30	213	362	10.1
1.4	35	187	318	9.3
1.6	40	157	267	8.4
1.8	45	113	192	7.2

STALL @ 2.3" [58.4mm]

**TYPICAL AIR PERFORMANCE @ 13.5VDC
TEC2000 SINGLE SCROLL BLOWER MED SPEED**

STATIC PRESSURE IN H ₂ O	STATIC PRESSURE mm H ₂ O	CFM	m ³ /h	Amps
0	0.0	213	362	6.5
0.1	2.5	204	347	6.4
0.2	5	196	316	6.3
0.3	7.5	186	316	6.2
0.4	10	176	299	6.1
0.5	12.5	163	277	5.9
0.6	15	152	258	5.7
0.7	17.5	137	233	5.4
0.8	20	127	216	5.3
0.9	22.5	110	187	5.0
1.0	25	90	153	4.7

STALL @ 1.6" [40.6mm]

**TYPICAL AIR PERFORMANCE @ 13.5VDC
TEC2000 SINGLE SCROLL BLOWER LO SPEED**

STATIC PRESSURE IN H ₂ O	STATIC PRESSURE mm H ₂ O	CFM	m ³ /h	Amps
0	0.0	171	291	4.4
0.1	2.5	158	268	4.3
0.2	5	147	250	4.3
0.3	7.5	137	233	4.2
0.4	10	122	207	4.0
0.5	12.5	110	187	3.9
0.6	15	93	158	3.7
0.7	17.5	75	127	3.6

STALL @ 1.1" [27.9mm]

- HI SPEED
- MED SPEED
- LO SPEED

