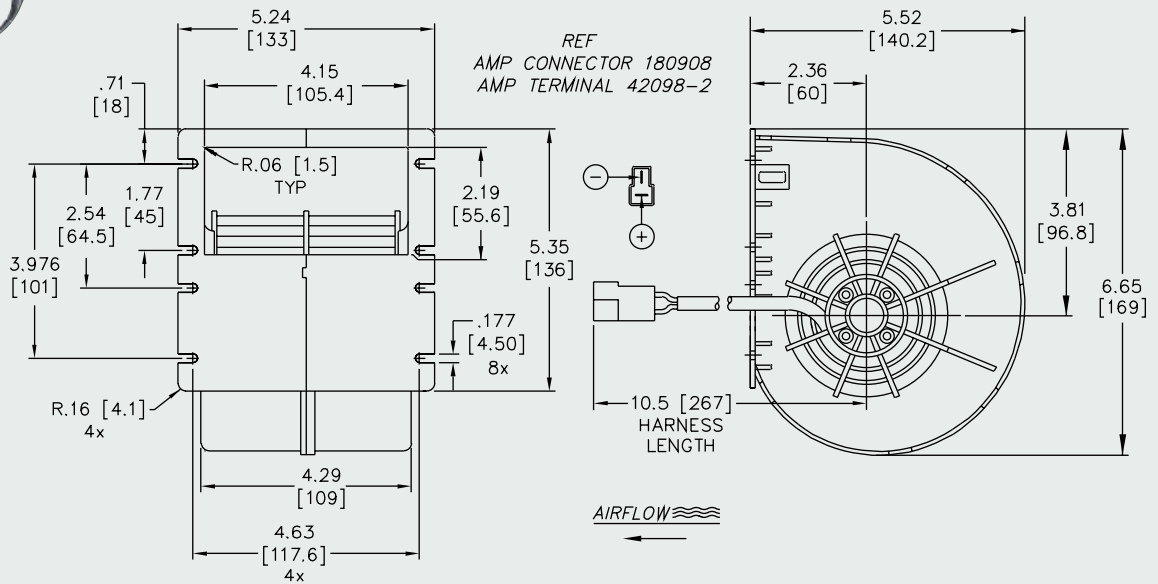




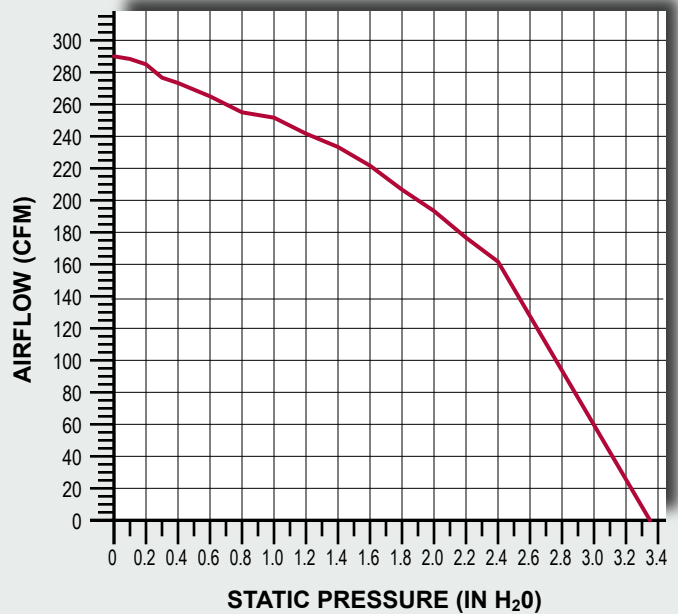
MODEL INFORMATION

PART#	TYPE	VOLTS	WATTS	SPEED	MATERIAL
TA0140002	SINGLE SCROLL	12VDC	160W	SINGLE	GF NYLON
TB0140001	SINGLE SCROLL	24VDC	160W	SINGLE	GF NYLON



TYPICAL AIR PERFORMANCE @ 13.5VDC TEC2001 SINGLE SPEED SINGLE SCROLL BLOWER

STATIC PRESSURE IN H ₂ O	STATIC PRESSURE mm H ₂ O	CFM	m ³ /h	Amps
0	0.0	290	493	15.5
0.1	2.5	288	489	15.4
0.2	5	285	484	15.3
0.3	7.5	277	471	15.1
0.4	10	273	463	14.8
0.6	15	265	450	14.5
0.8	20	255	433	14.2
1.0	25	252	428	13.9
1.2	30	241	409	13.6
1.4	35	233	396	13.3
1.6	40	221	375	12.8
1.8	45	211	358	12.3
2.0	50	193	328	11.6
2.2	55	176	299	10.9
2.4	60	161	274	10.3



STALL @ 3.37" [85.6mm] – 5.7 Amps