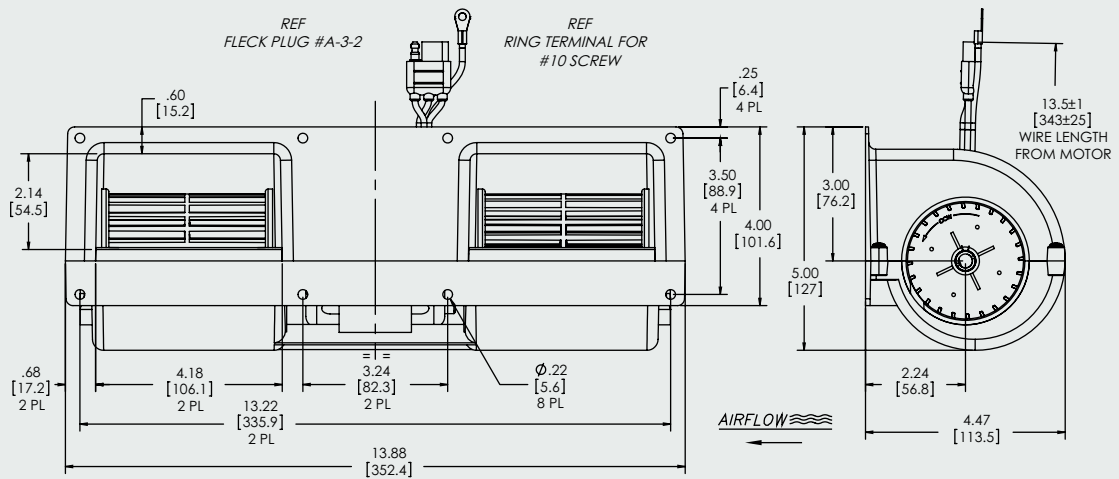




MODEL INFORMATION*

PART#	TYPE	MOTOR	VOLTS	SPEEDS	MATERIAL**
BH1300-30	DUAL SCROLL	WOUND FIELD	12VDC	3(HI MED LO)	ABS
*ALSO AVAILABLE IN 24VDC			**ALSO AVAILABLE IN OTHER MATERIALS		



**TYPICAL AIR PERFORMANCE @ 13.5VDC
BH1300 DUAL SCROLL BLOWER HI SPEED**

STATIC PRESSURE IN H ₂ O	STATIC PRESSURE mm H ₂ O	CFM	m ³ /h	Amps
0	0.0	371	630	12.0
0.1	2.5	361	613	11.8
0.2	5	355	603	11.3
0.3	7.5	347	590	11.1
0.4	10	342	581	10.9
0.5	12.5	333	566	10.6
0.6	15	322	547	10.3
0.7	17.5	307	522	10.1
0.8	20	293	498	9.7
0.9	22.5	274	466	9.3
1.0	25	252	428	8.5
1.2	30	208	353	7.8
1.4	35	169	287	9.6
1.6	40	129	219	7.1
1.8	45	98	167	6.7

STALL @ 2.54" [64.5mm]

**TYPICAL AIR PERFORMANCE @ 13.5VDC
BH1300 DUAL SCROLL BLOWER MED SPEED**

STATIC PRESSURE IN H ₂ O	STATIC PRESSURE mm H ₂ O	CFM	m ³ /h	Amps
0	0.0	260	442	6.0
0.1	2.5	252	428	5.9
0.2	5	243	413	5.8
0.3	7.5	229	389	5.5
0.4	10	214	364	5.4
0.5	12.5	194	330	5.2
0.6	15	168	285	4.9
0.7	17.5	148	251	4.6
0.8	20	124	211	4.4
0.9	22.5	102	173	4.2
1.0	25	80	136	4.0
1.2	30	46	78	3.7

STALL @ 1.48" [37.6mm]

**TYPICAL AIR PERFORMANCE @ 13.5VDC
BH1300 DUAL SCROLL BLOWER LO SPEED**

STATIC PRESSURE IN H ₂ O	STATIC PRESSURE mm H ₂ O	CFM	m ³ /h	Amps
0	0.0	181	308	3.5
0.1	2.5	170	289	3.4
0.2	5	152	258	3.2
0.3	7.5	127	216	3.1
0.4	10	98	167	2.9
0.5	12.5	73	124	2.7
0.6	15	52	88	2.6

STALL @ 0.85" [21.6mm]

— HI SPEED
— MED SPEED
— LO SPEED

