

12VDC CENTRIFUGAL BLOWERS

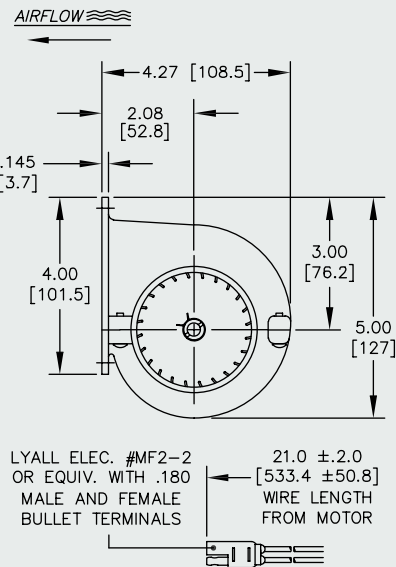
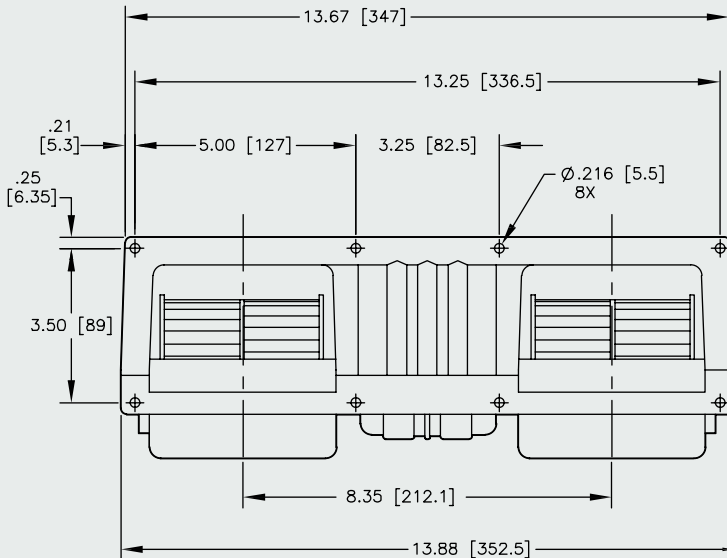
**TEC2005 SERIES
DUAL SCROLL**

TEC2005 / BH1300



MODEL INFORMATION

PART#	TYPE	MOTOR	VOLTS	SPEED	MATERIAL
TA0000002	DUAL SCROLL	PERMANENT MAGNET	12VDC	SINGLE	GF NYLON
TB0000001	DUAL SCROLL	PERMANENT MAGNET	24VDC	SINGLE	GF NYLON



TYPICAL AIR PERFORMANCE @ 13.5VDC TEC2005 SINGLE SPEED DUAL SCROLL BLOWER

STATIC PRESSURE IN H ₂ O	STATIC PRESSURE mm H ₂ O	CFM	m ³ /h	Amps
0	0.0	425	722	15.2
0.1	2.5	417	708	15.1
0.2	5	405	688	14.6
0.3	7.5	392	666	14.1
0.4	10	389	661	14.0
0.5	12.5	378	642	13.7
0.6	15	367	624	13.3
0.7	17.5	350	595	12.6
0.8	20	334	567	12.1
0.9	22.5	308	523	11.4
1.0	25	288	489	10.8
1.2	30	234	398	9.4
1.4	35	106	180	6.2

STALL @ 1.87" [47.5mm]

