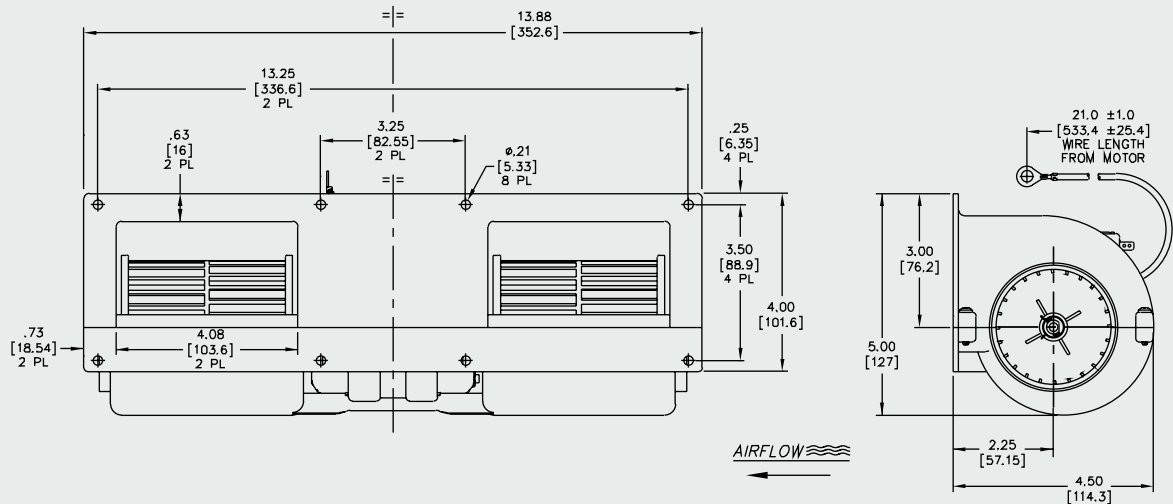


12VDC CENTRIFUGAL BLOWERS



MODEL INFORMATION

PART#	TYPE	MOTOR	VOLTS	SPEEDS	MATERIAL
TA0000005	DUAL SCROLL	PERMANENT MAGNET	12VDC	3(HI MED LO)	GF NYLON
TB0000002	DUAL SCROLL	PERMANENT MAGNET	24VDC	3(HI MED LO)	GF NYLON



TYPICAL AIR PERFORMANCE @ 13.5VDC
TEC2005 DUAL SCROLL BLOWER HI SPEED

STATIC PRESSURE IN H ₂ O	STATIC PRESSURE mm H ₂ O	CFM	m ³ /h	Amps
0	0.0	346	588	12.2
0.1	2.5	328	557	10.3
0.2	5	307	521	9.7
0.3	7.5	290	492	9.3
0.4	10	276	470	8.7
0.5	12.5	261	443	8.3
0.6	15	239	406	7.7
0.7	17.5	213	362	7.0
0.8	20	196	334	6.5
0.9	22.5	161	274	5.8
1.0	25	108	184	4.6

STALL @ 1.43" [36.2mm] - 3.0 Amps

TYPICAL AIR PERFORMANCE @ 13.5VDC
TEC2005 DUAL SCROLL BLOWER MED SPEED

STATIC PRESSURE IN H ₂ O	STATIC PRESSURE mm H ₂ O	CFM	m ³ /h	Amps
0	0.0	312	530	9.0
0.1	2.5	295	500	8.4
0.2	5	276	469	8.1
0.3	7.5	258	439	7.6
0.4	10	242	410	7.3
0.5	12.5	225	382	6.8
0.6	15	201	342	6.2
0.7	17.5	185	315	5.9
0.8	20	151	257	5.2
0.9	22.5	117	199	4.7

STALL @ 1.33" [33.7mm] - 2.9 Amps

TYPICAL AIR PERFORMANCE @ 13.5VDC
TEC2005 DUAL SCROLL BLOWER LO SPEED

STATIC PRESSURE IN H ₂ O	STATIC PRESSURE mm H ₂ O	CFM	m ³ /h	Amps
0	0.0	285	484	7.6
0.1	2.5	260	442	7.1
0.2	5	250	424	6.9
0.3	7.5	231	393	6.5
0.4	10	216	367	6.3
0.5	12.5	196	333	5.9
0.6	15	185	315	5.7
0.8	20	111	188	4.3

STALL @ 1.27" [32.3mm] - 2.8 Amps

— HI SPEED
— MED SPEED
— LO SPEED

