

12VDC CENTRIFUGAL BLOWERS

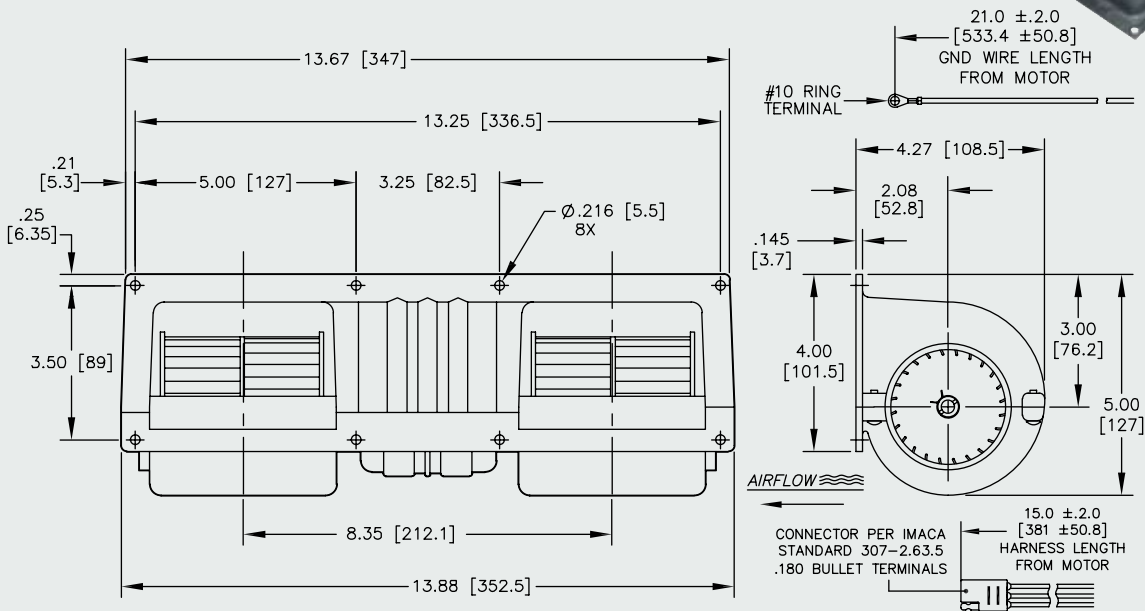
**TEC2005 SERIES
DUAL SCROLL**

TEC2005 / BH1300



MODEL INFORMATION

PART#	TYPE	MOTOR	VOLTS	SPEEDS	MATERIAL
TA1000011	DUAL SCROLL	WOUND FIELD	12VDC	3(HI MED LO)	GF NYLON
TB1000011	DUAL SCROLL	WOUND FIELD	24VDC	3(HI MED LO)	GF NYLON



TYPICAL AIR PERFORMANCE @ 13.5VDC TEC2005 DUAL SCROLL BLOWER HI SPEED

STATIC PRESSURE IN H ₂ O	STATIC PRESSURE mm H ₂ O	CFM	m ³ /h	Amps
0	0.0	378	642	12.8
0.1	2.5	369	627	12.6
0.2	5	356	605	12.5
0.3	7.5	351	596	12.4
0.4	10	345	586	12.2
0.5	12.5	341	579	12.2
0.6	15	332	564	11.8
0.7	17.5	312	530	11.4
0.8	20	303	515	11.2
0.9	22.5	284	483	11.0
1.0	25	270	459	10.7
1.2	30	234	398	10.1
1.4	35	195	331	9.3
1.6	40	153	260	8.4
1.8	45	119	202	7.2

STALL @ 2.6" [66mm]

TYPICAL AIR PERFORMANCE @ 13.5VDC TEC2005 DUAL SCROLL BLOWER MED SPEED

STATIC PRESSURE IN H ₂ O	STATIC PRESSURE mm H ₂ O	CFM	m ³ /h	Amps
0	0.0	269	457	7.6
0.1	2.5	263	447	7.6
0.2	5	258	438	7.6
0.3	7.5	252	428	7.4
0.4	10	237	403	7.3
0.5	12.5	220	374	7.2
0.6	15	203	345	7.0
0.7	17.5	187	318	6.8
0.8	20	167	284	6.6
0.9	22.5	148	251	6.4
1.0	25	122	207	6.1
1.2	30	100	170	5.6

STALL @ 1.8" [45.7mm]

TYPICAL AIR PERFORMANCE @ 13.5VDC TEC2005 DUAL SCROLL BLOWER LO SPEED

STATIC PRESSURE IN H ₂ O	STATIC PRESSURE mm H ₂ O	CFM	m ³ /h	Amps
0	0.0	230	391	5.8
0.1	2.5	224	381	5.8
0.2	5	214	364	5.6
0.3	7.5	201	341	5.5
0.4	10	185	314	5.4
0.5	12.5	159	270	5.1
0.6	15	148	251	5.1
0.8	20	110	187	4.8

STALL @ 1.41" [35.8mm]

— HI SPEED
— MED SPEED
— LO SPEED

