

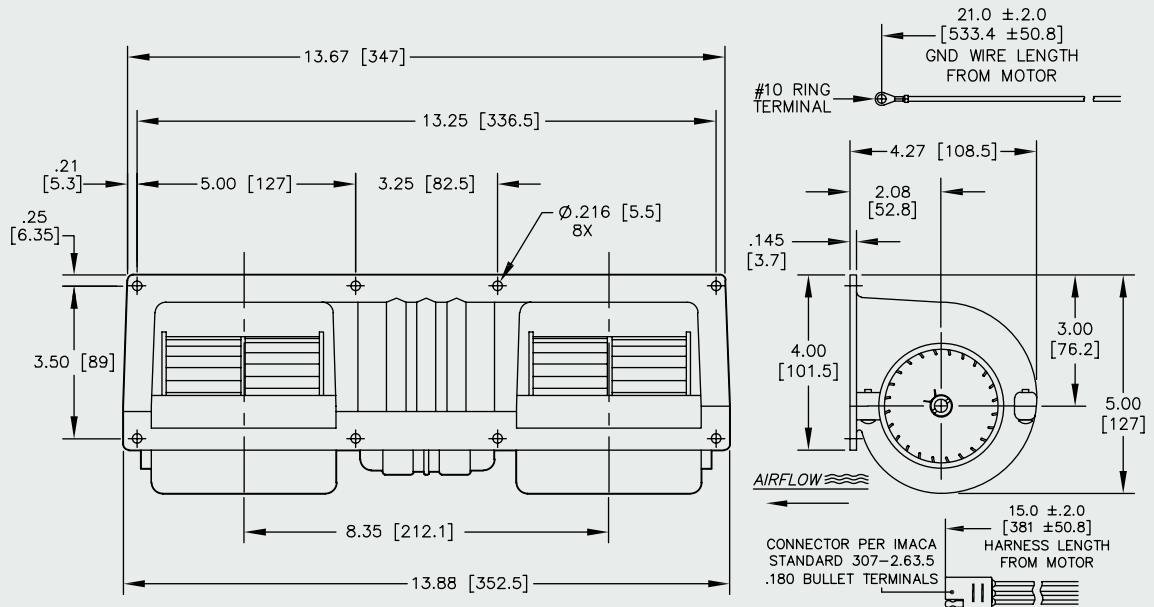
# 12VDC CENTRIFUGAL BLOWERS



### MODEL INFORMATION\*

PART#	TYPE	MOTOR	VOLTS	SPEEDS	MATERIAL
TA1000016	DUAL SCROLL	WOUND FIELD	12VDC	3(HI MED LO)	GF NYLON

\*ALSO AVAILABLE IN 24VDC



### TYPICAL AIR PERFORMANCE @ 13.5VDC TEC2005 DUAL SCROLL BLOWER HI SPEED

STATIC PRESSURE IN H <sub>2</sub> O	STATIC PRESSURE mm H <sub>2</sub> O	CFM	m <sup>3</sup> /h	Amps
0	0.0	325	552	8.2
0.1	2.5	310	527	8.1
0.2	5	302	513	7.8
0.3	7.5	290	493	7.5
0.4	10	271	460	7.1
0.5	12.5	255	433	6.9
0.6	15	232	394	6.7
0.7	17.5	215	365	6.5
0.8	20	191	325	6.1
0.9	22.5	169	287	5.8
1.0	25	147	250	5.4
1.2	30	102	173	4.8

### TYPICAL AIR PERFORMANCE @ 13.5VDC TEC2005 DUAL SCROLL BLOWER MED SPEED

STATIC PRESSURE IN H <sub>2</sub> O	STATIC PRESSURE mm H <sub>2</sub> O	CFM	m <sup>3</sup> /h	Amps
0	0.0	231	392	5.0
0.1	2.5	228	387	5.0
0.2	5	214	364	4.9
0.3	7.5	195	331	4.7
0.4	10	165	280	4.5
0.5	12.5	145	246	4.3
0.6	15	119	202	4.0
0.7	17.5	100	170	3.9
0.8	20	75	127	3.6
0.9	22.5	53	90	3.5

### TYPICAL AIR PERFORMANCE @ 13.5VDC TEC2005 DUAL SCROLL BLOWER LO SPEED

STATIC PRESSURE IN H <sub>2</sub> O	STATIC PRESSURE mm H <sub>2</sub> O	CFM	m <sup>3</sup> /h	Amps
0	0.0	160	272	2.8
0.1	2.5	141	240	2.7
0.2	5	110	187	2.6
0.3	7.5	84	142	2.5
0.4	10	56	95	2.4
0.5	12.5	28	48	2.3

— HI SPEED  
— MED SPEED  
— LO SPEED

