

12VDC CENTRIFUGAL BLOWERS

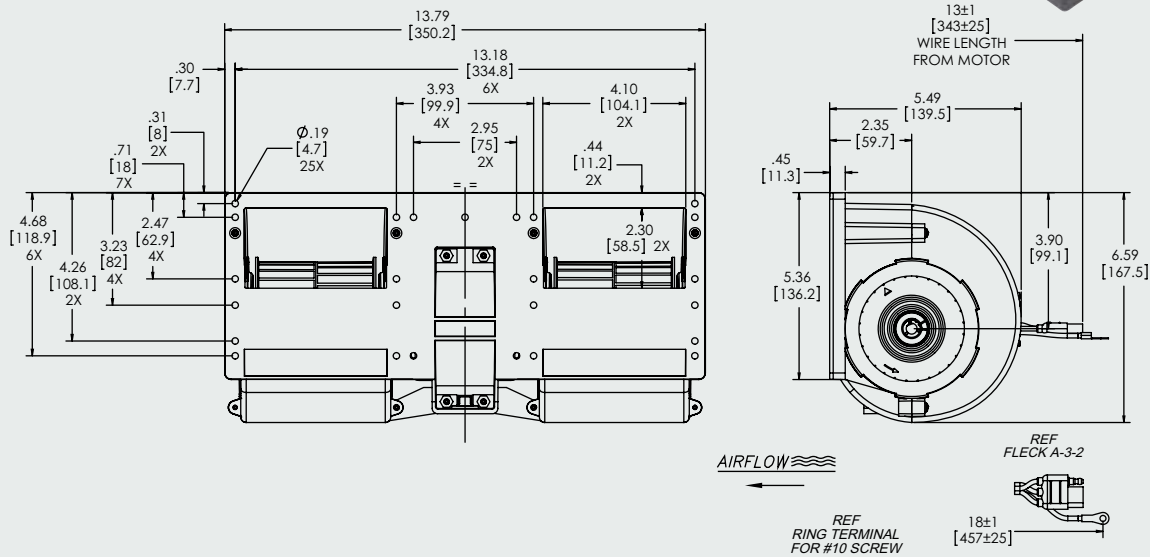
**BH1400 SERIES
DUAL SCROLL**

MODEL INFORMATION*

PART#	TYPE	VOLTS	SPEEDS	MATERIAL**
BH1400-1	DUAL SCROLL	12VDC	3(HI MED LO)	ABS
*ALSO AVAILABLE IN 24VDC		**ALSO AVAILABLE IN OTHER MATERIALS		



TEC2006 / BH1400



AIRFLOW →

REF RING TERMINAL FOR #10 SCREW

REF FLECK A-3-2

18±1 [457±25]

TYPICAL AIR PERFORMANCE @ 13.5VDC BH1400 DUAL SCROLL BLOWER HI SPEED

STATIC PRESSURE IN H ₂ O	STATIC PRESSURE mm H ₂ O	CFM	m ³ /h	Amps
0	0.0	482	819	14.6
0.1	2.5	463	787	14.2
0.2	5	452	768	14.0
0.3	7.5	439	746	13.9
0.4	10	427	725	13.7
0.5	12.5	415	705	13.5
0.6	15	399	678	13.2
0.7	17.5	389	661	13.1
0.8	20	375	637	12.9
0.9	22.5	360	612	12.7
1.0	25	348	591	12.5
1.2	30	313	532	11.9
1.4	35	278	472	11.3
1.6	40	228	387	10.4
1.8	45	200	340	10.0

STALL @ 2.99" [75.9mm]

TYPICAL AIR PERFORMANCE @ 13.5VDC BH1400 DUAL SCROLL BLOWER MED SPEED

STATIC PRESSURE IN H ₂ O	STATIC PRESSURE mm H ₂ O	CFM	m ³ /h	Amps
0	0.0	333	566	6.7
0.1	2.5	317	539	6.6
0.2	5	300	510	6.5
0.3	7.5	285	484	6.4
0.4	10	265	450	6.2
0.5	12.5	247	420	6.1
0.6	15	230	391	6.0
0.7	17.5	212	360	5.8
0.8	20	186	316	5.6
1.0	25	141	240	5.2
1.2	50	105	178	4.8

STALL @ 2.38" [37.6mm]

TYPICAL AIR PERFORMANCE @ 13.5VDC BH1400 DUAL SCROLL BLOWER LO SPEED

STATIC PRESSURE IN H ₂ O	STATIC PRESSURE mm H ₂ O	CFM	m ³ /h	Amps
0	0.0	227	386	3.7
0.1	2.5	206	350	3.6
0.2	5	185	314	3.5
0.3	7.5	162	275	3.4
0.4	10	132	224	3.3
0.5	12.5	108	183	3.1
0.6	15	84	143	3.0

STALL @ 1.87" [21.6mm]

— HI SPEED
— MED SPEED
— LO SPEED

