

# 24VDC CENTRIFUGAL BLOWERS

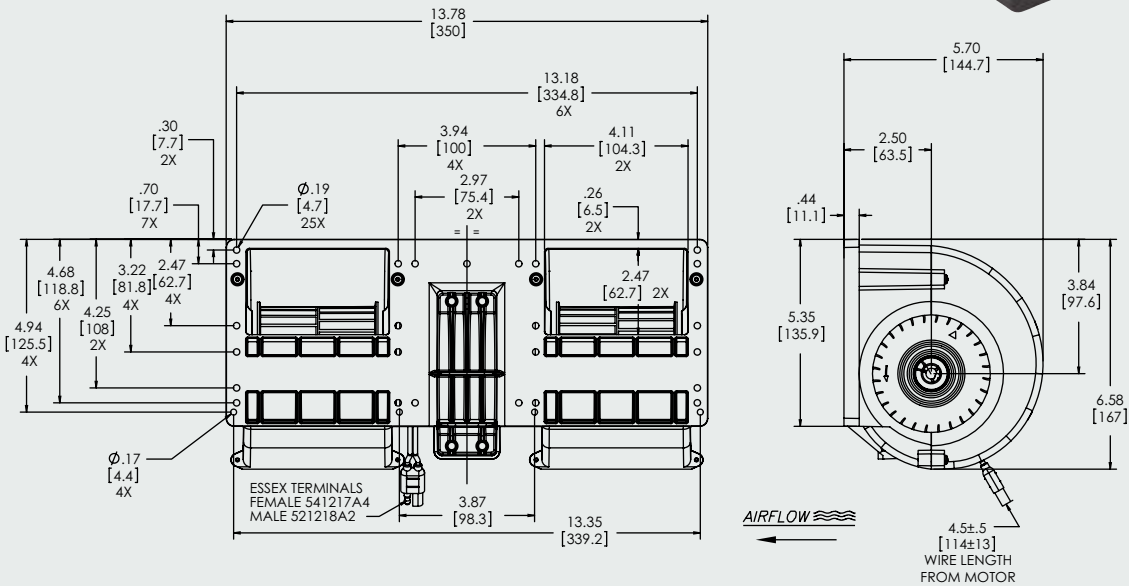
**BH1400 SERIES  
DUAL SCROLL**

## MODEL INFORMATION

PART#	TYPE	VOLTS	SPEED	MATERIAL*
BH1400-18-01	DUAL SCROLL	24VDC	3(HI MED LO)	*HOUSING - ABS
				*WHEELS - GFPP
*ALSO AVAILABLE IN OTHER MATERIALS				



TEC2006 / BH1400



**TYPICAL AIR PERFORMANCE @ 13.5VDC**  
BH1400 DUAL SCROLL BLOWER HI SPEED

STATIC PRESSURE IN H <sub>2</sub> O	STATIC PRESSURE mm H <sub>2</sub> O	CFM	m <sup>3</sup> /h	Amps
0	0.0	655	1113	13.3
0.1	2.5	645	1095	13.1
0.2	5	637	1082	13.0
0.3	7.5	626	1063	12.9
0.4	10	613	1041	12.6
0.5	12.5	602	1022	12.4
0.6	15	589	1000	12.1
0.7	17.5	573	974	11.8
0.8	20	560	951	11.6
0.9	22.5	546	927	11.5
1.0	25	529	898	11.1
1.2	30	497	844	10.5
1.4	35	451	766	9.6
1.6	40	383	651	8.3
1.8	45	331	562	7.6
2.0	50	202	343	5.8

STALL @ 2.86" [72.6mm] - 4.7 Amps

**TYPICAL AIR PERFORMANCE @ 13.5VDC**  
BH1400 DUAL SCROLL BLOWER MED SPEED

STATIC PRESSURE IN H <sub>2</sub> O	STATIC PRESSURE mm H <sub>2</sub> O	CFM	m <sup>3</sup> /h	Amps
0	0.0	521	885	8.5
0.1	2.5	505	857	8.3
0.2	5	492	836	8.1
0.3	7.5	479	813	7.9
0.4	10	465	790	7.7
0.5	12.5	450	764	7.5
0.6	15	433	736	7.2
0.7	17.5	414	703	6.7
0.8	20	397	674	6.5
1.0	25	361	612	5.9
1.2	30	316	536	5.8
1.4	35	191	325	4.1

STALL @ 2.0" [50.8mm] - 3.7 Amps

- HI SPEED
- MED SPEED
- LO SPEED

**TYPICAL AIR PERFORMANCE @ 13.5VDC**  
BH1400 DUAL SCROLL BLOWER LO SPEED

STATIC PRESSURE IN H <sub>2</sub> O	STATIC PRESSURE mm H <sub>2</sub> O	CFM	m <sup>3</sup> /h	Amps
0	0.0	436	741	6.3
0.2	5	411	697	6.1
0.4	10	379	643	5.8
0.6	15	345	586	5.6
0.8	20	312	529	5.3
1.0	25	260	441	4.9
1.2	30	166	282	4.2
1.4	35	110	186	3.9

STALL @ 1.88" [47.8mm] - 2.7Amps

