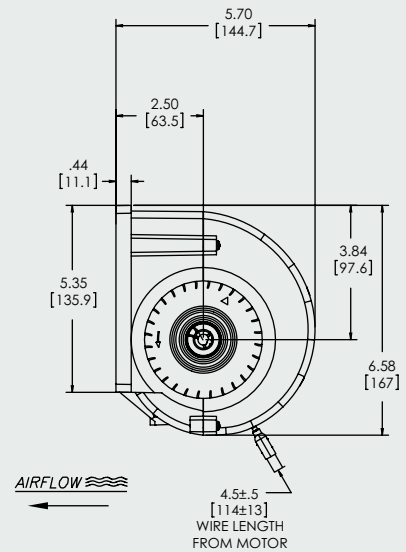
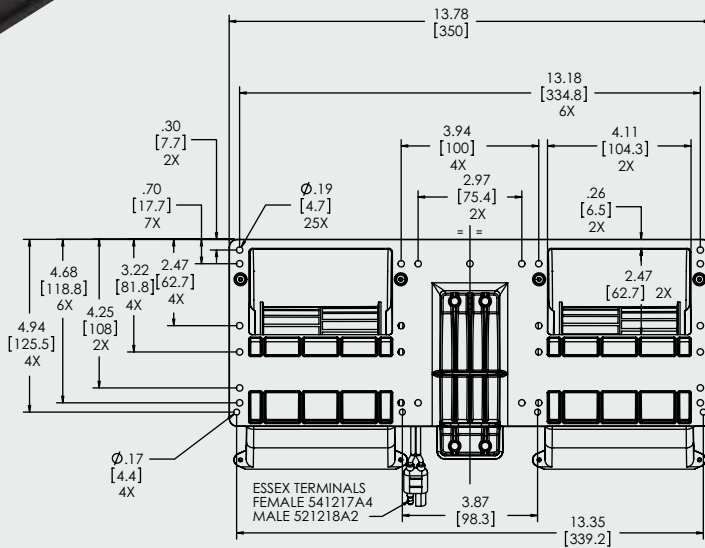




MODEL INFORMATION*

PART#	TYPE	VOLTS	SPEED	MATERIAL**
BH1400-74-01	DUAL SCROLL	12VDC	4(HI 3 rd 2 nd LO)	**HOUSING - ABS
*ALSO AVAILABLE IN 24VDC				**WHEELS - GFPP
				**ALSO AVAILABLE IN OTHER MATERIALS



TYPICAL AIR PERFORMANCE @ 13.5VDC
BH1400 DUAL SCROLL BLOWER HI SPEED

STATIC PRESSURE IN H ₂ O	STATIC PRESSURE mm H ₂ O	CFM	m ³ /h	Amps
0	0.0	612	1040	22.7
0.2	5	589	1001	22.1
0.4	10	565	960	21.5
0.6	15	539	916	20.8
0.8	20	512	870	20.1
1.0	25	485	824	19.3
1.2	30	458	778	18.6
1.4	35	429	729	17.7
1.6	40	397	675	16.7
1.8	45	354	601	15.6
2.0	50	273	464	13.6
2.2	55	169	287	11.3
2.4	60	116	197	10.6
2.6	65	47	80	9.4

TYPICAL AIR PERFORMANCE @ 13.5VDC
BH1400 DUAL SCROLL BLOWER 3rd SPEED

STATIC PRESSURE IN H ₂ O	STATIC PRESSURE mm H ₂ O	CFM	m ³ /h	Amps
0	0.0	512	870	16.7
0.1	2.5	500	850	16.4
0.2	5	487	827	16.0
0.4	10	460	782	15.4
0.6	15	428	727	14.7
0.8	20	397	675	14.1
1.0	25	365	620	13.3
1.2	30	330	561	12.6
1.4	35	267	454	11.3
1.6	40	202	343	9.9
1.8	45	125	212	8.7
2.0	50	71	121	7.9

STALL @ 2.2" [55.9mm] – 7.5 Amps

TYPICAL AIR PERFORMANCE @ 13.5VDC
BH1400 DUAL SCROLL BLOWER 2nd SPEED

STATIC PRESSURE IN H ₂ O	STATIC PRESSURE mm H ₂ O	CFM	m ³ /h	Amps
0	0.0	427	725	11.9
0.1	2.5	413	702	11.7
0.2	5	397	675	11.4
0.4	10	366	622	10.9
0.6	15	333	566	10.4
0.8	20	298	506	9.8
1.0	25	249	423	9.0
1.2	30	180	306	8.0
1.4	35	105	178	7.2
1.6	40	55	93	6.7

STALL @ 1.8" [45.7mm] – 6.6 Amps

STALL @ 2.75" [69.9mm] – 9.3 Amps

TYPICAL AIR PERFORMANCE @ 13.5VDC
BH1400 DUAL SCROLL BLOWER LO SPEED

STATIC PRESSURE IN H ₂ O	STATIC PRESSURE mm H ₂ O	CFM	m ³ /h	Amps
0	0.0	249	423	5.3
0.1	2.5	227	386	5.1
0.2	5	204	347	4.9
0.4	10	149	253	4.6
0.6	15	63	107	4.1

STALL @ 0.75" [19.1mm] – 3.9 Amps

- HI SPEED
- 3rd SPEED
- 2nd SPEED
- LO SPEED

