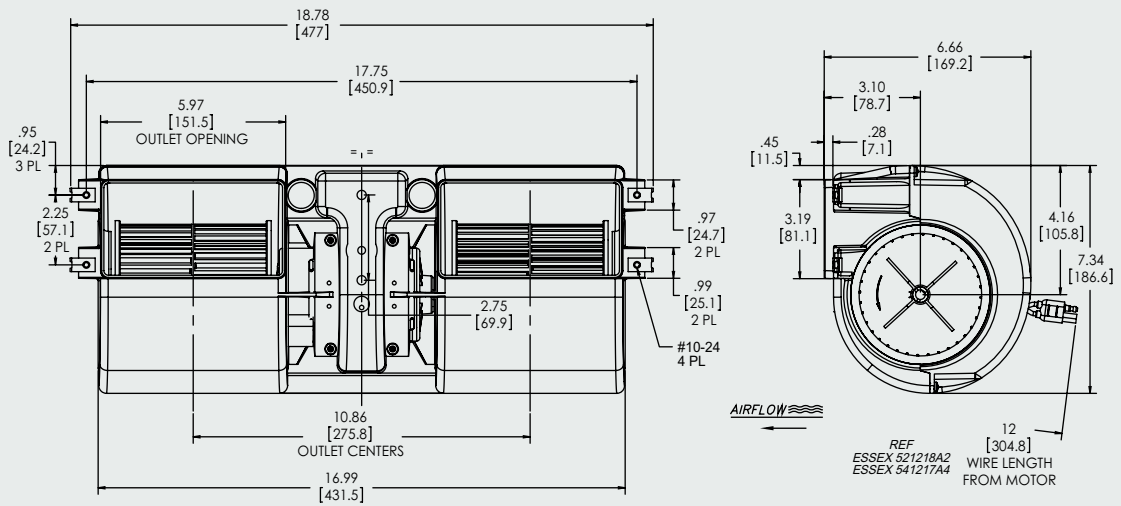


12VDC CENTRIFUGAL BLOWERS



MODEL INFORMATION*				
PART#	TYPE	VOLTS	SPEED	MATERIAL**
BH1600-27	DUAL SCROLL	12VDC	SINGLE	**HOUSING - ABS
*ALSO AVAILABLE IN 24VDC			**WHEELS - MFGF NYLON	
**ALSO AVAILABLE IN OTHER MATERIALS				



TYPICAL AIR PERFORMANCE @ 13.5VDC
BH1600 SINGLE SPEED DUAL SCROLL BLOWER

STATIC PRESSURE IN H ₂ O	STATIC PRESSURE mm H ₂ O	CFM	m ³ /h	Amps
0	0.0	619	1052	10.4
0.1	2.5	587	997	9.8
0.2	5	553	940	9.3
0.3	7.5	510	866	8.7
0.4	10	464	788	8.0
0.5	12.5	410	697	7.3
0.6	15	344	584	6.5
0.7	17.5	275	467	5.7
0.8	20	199	338	4.8
0.9	22.5	113	192	4.1
1.0	25	55	93	3.7

STALL @ 1.14" [29mm] – 3.7 Amps

