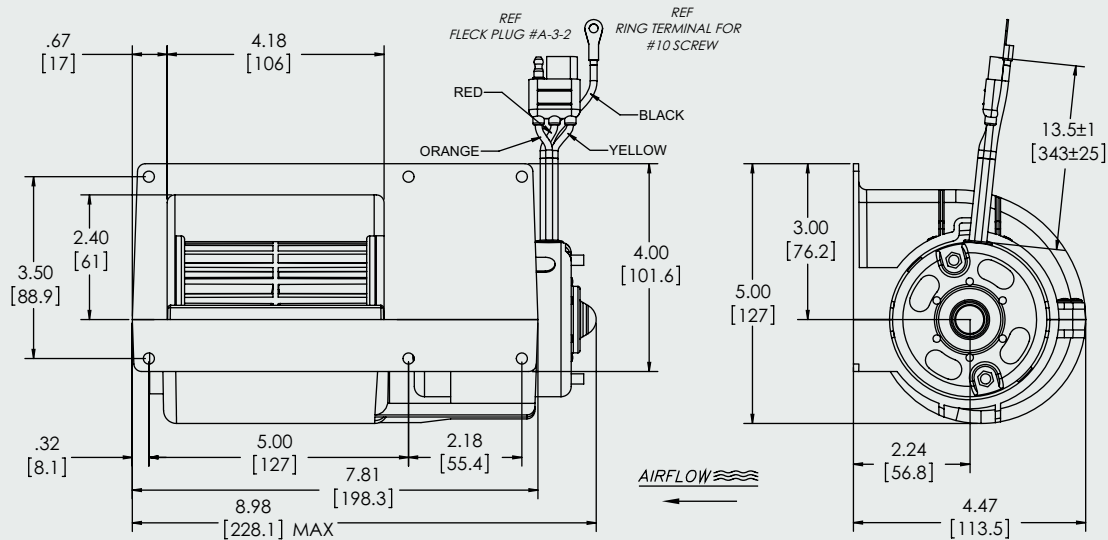


12VDC CENTRIFUGAL BLOWERS

**BH7800 SERIES
SINGLE SCROLL**

MODEL INFORMATION*

PART#	TYPE	VOLTS	SPEED	MATERIAL**
2302-A-1	SINGLE SCROLL	12VDC	SINGLE	**HOUSING - ABS
*ALSO AVAILABLE IN 24VDC				**WHEELS - PC
**ALSO AVAILABLE IN OTHER MATERIALS				



TEC2009 / BH7800

TYPICAL AIR PERFORMANCE @ 13.5VDC BH7800 SINGLE SCROLL BLOWER HI SPEED

STATIC PRESSURE IN H ₂ O	STATIC PRESSURE mm H ₂ O	CFM	m ³ /h	Amps
0	0.0	226	384	11.0
0.1	2.5	221	375	10.9
0.2	5	215	365	10.7
0.3	7.5	209	355	10.5
0.4	10	204	347	10.3
0.5	12.5	197	335	10.2
0.6	15	193	328	10.1
0.7	17.5	187	318	9.9
0.8	20	182	309	9.7
0.9	22.5	176	299	9.6
1.0	25	170	289	9.4
1.2	30	158	268	9.0
1.4	35	143	243	8.6
1.6	40	127	216	8.3
1.8	45	102	173	7.6
2.0	50	73	124	6.9
2.2	55	54	92	6.6
2.4	60	37	63	6.2

STALL @ 2.87" [72.9mm] - 5.8 Amps

TYPICAL AIR PERFORMANCE @ 13.5VDC BH7800 SINGLE SCROLL BLOWER MED SPEED

STATIC PRESSURE IN H ₂ O	STATIC PRESSURE mm H ₂ O	CFM	m ³ /h	Amps
0	0.0	153	260	5.8
0.1	2.5	147	250	5.7
0.2	5	139	236	5.6
0.3	7.5	133	226	5.5
0.4	10	127	216	5.3
0.5	12.5	116	197	5.4
0.6	15	109	185	5.2
0.7	17.5	97	165	5.0
0.8	20	83	141	4.7
0.9	22.5	70	119	4.5
1.0	25	50	85	4.2
1.2	30	30	51	3.9

STALL @ 1.51" [38.4mm] - 3.7 Amps

TYPICAL AIR PERFORMANCE @ 13.5VDC BH7800 SINGLE SCROLL BLOWER LO SPEED

STATIC PRESSURE IN H ₂ O	STATIC PRESSURE mm H ₂ O	CFM	m ³ /h	Amps
0	0.0	119	202	4.0
0.1	2.5	111	189	3.8
0.2	5	101	172	3.7
0.3	7.5	93	158	3.6
0.4	10	81	138	3.5
0.5	12.5	65	110	3.3
0.6	15	52	88	3.2
0.8	20	22	37	2.9

STALL @ 0.93" [23.6mm] - 2.8 Amps

— HI SPEED
— MED SPEED
— LO SPEED

